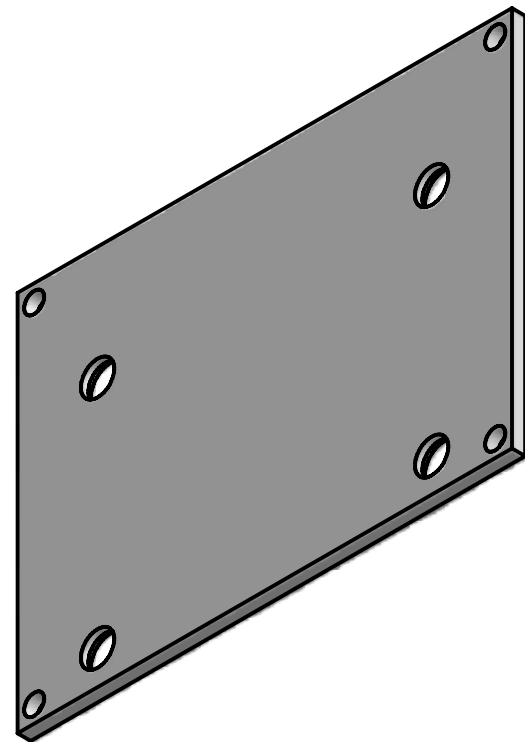
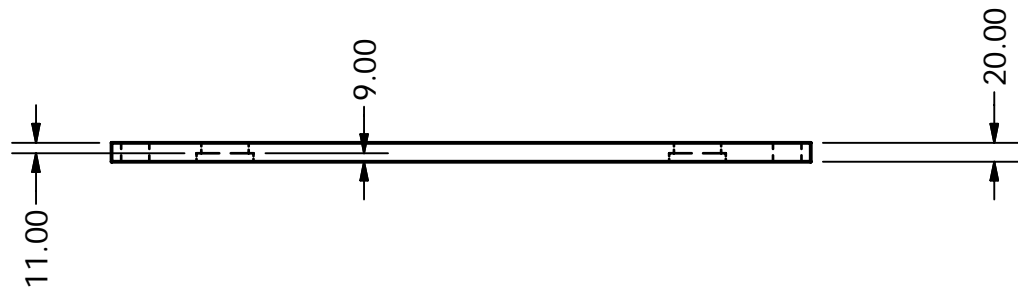
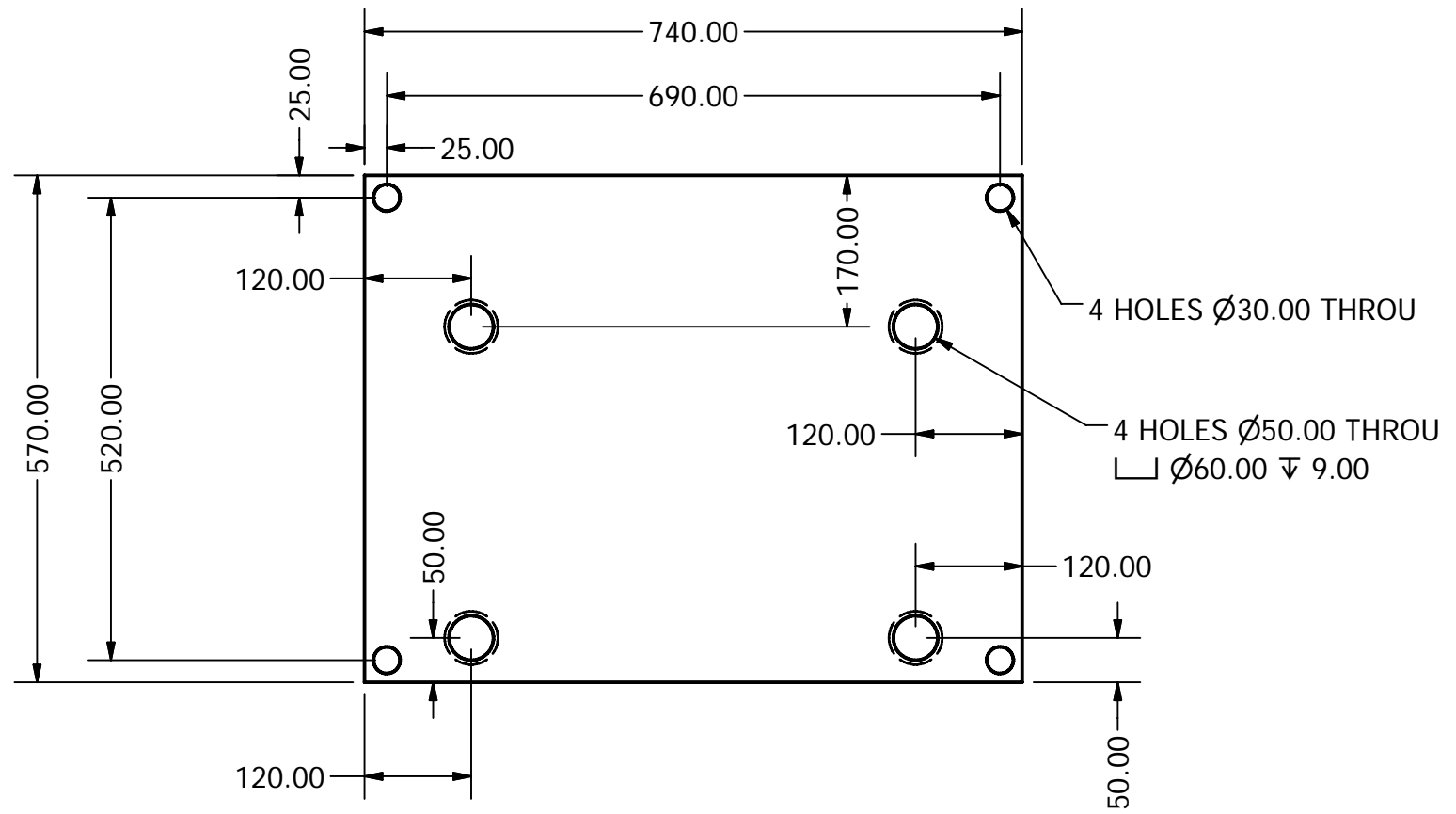
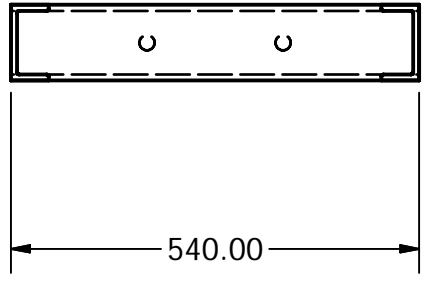
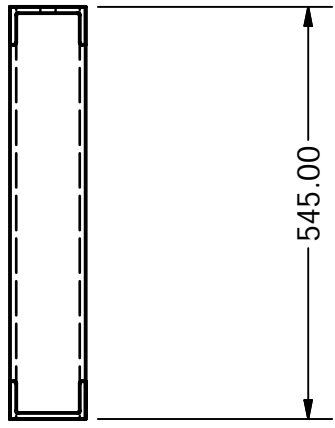
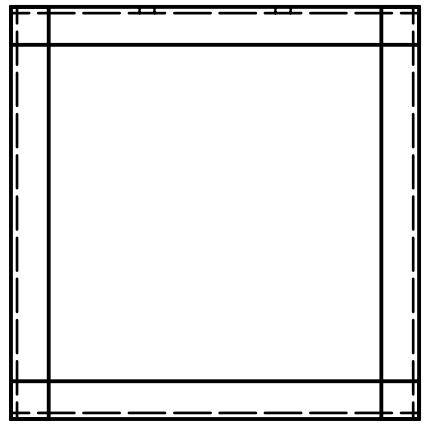
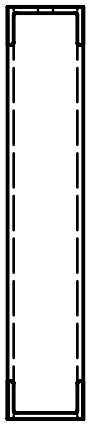
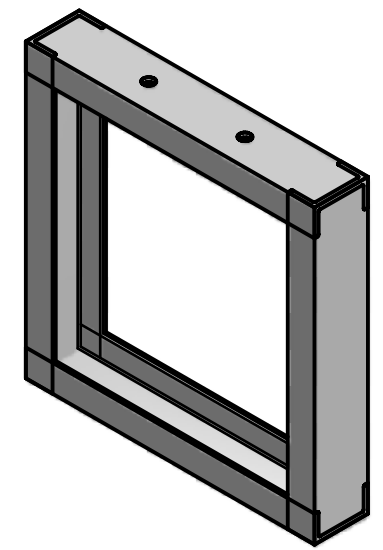
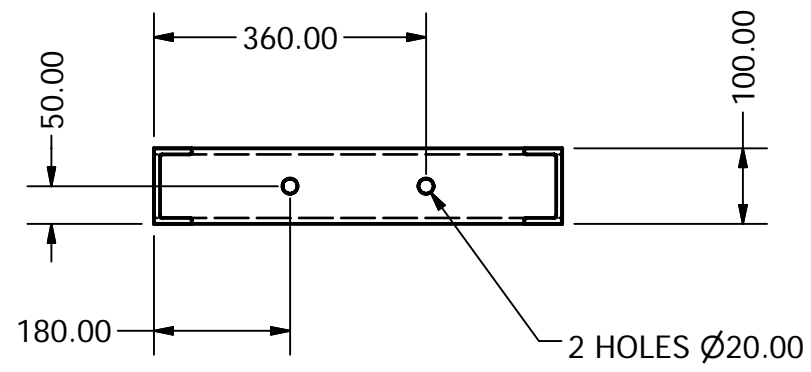


Parts List			
ITEM	QTY	PART NUMBER	DESCRIPTION
1	4	fork	
2	1	Bottom_C_beam_frame	
3	1	Top_C_beam_frame	
4	1	Top_Plate	
5	1	right front leg	
6	4	rod	
7	1	left back leg	
8	1	left front leg	
9	1	right back leg	

DRAWN Lex	1/8/2009	TITLE Support Box #1 General dimensions	
CHECKED			
QA			
MFG			
APPROVED			
SIZE A3	DWG NO Support_Box1_last	REV	
SCALE 1:10	SHEET 1 OF 7		

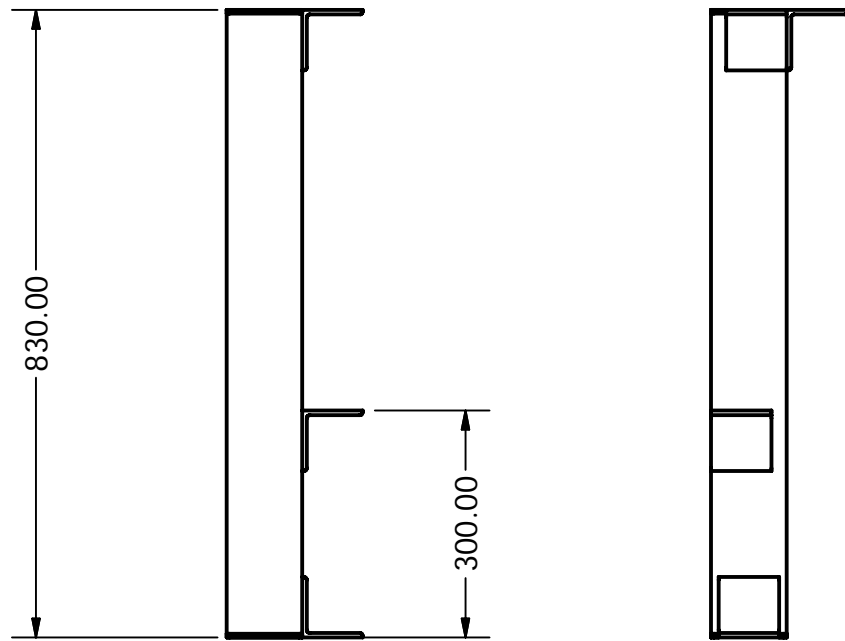


DRAWN	Lex	1/8/2009		
CHECKED				
QA				
MFG				
APPROVED				
		TITLE Top plate, support Box #1		
		SIZE A3	DWG NO Support_Box1_last	REV
		SCALE 1:10	SHEET 2 OF 7	

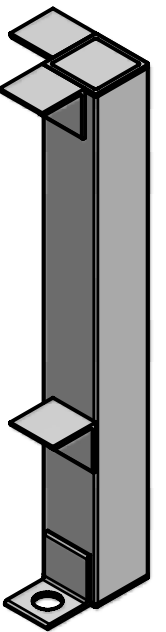
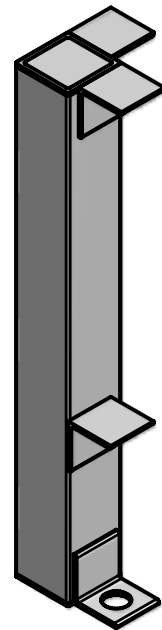
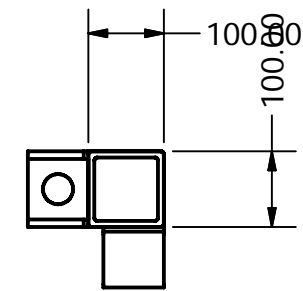
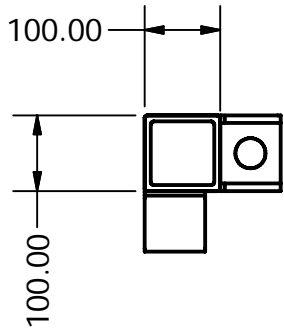
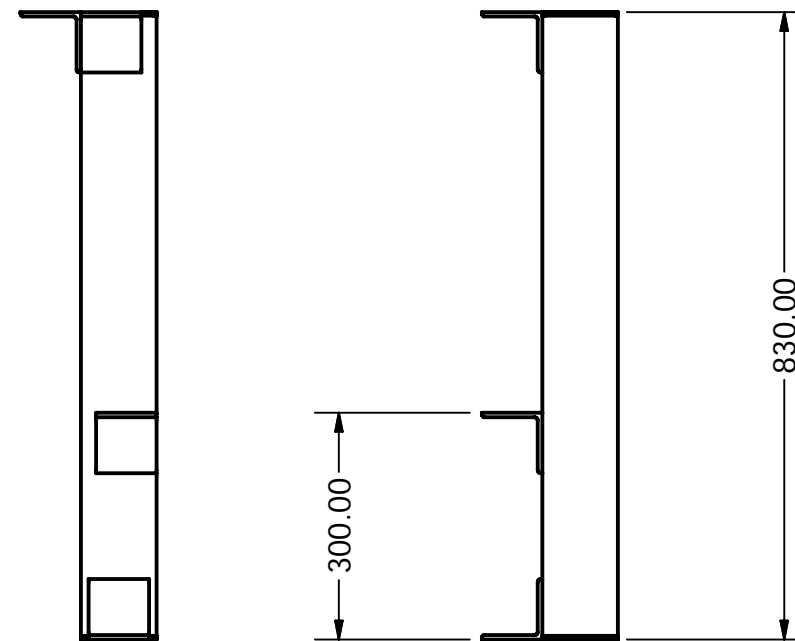


DRAWN Lex	1/8/2009	TITLE Bottom C-beam assembly support Box #1		
CHECKED				
QA				
MFG				
APPROVED				
		SIZE A3	DWG NO Support_Box1_last	REV
		SCALE 1:10	SHEET 3 OF 7	

Front left leg



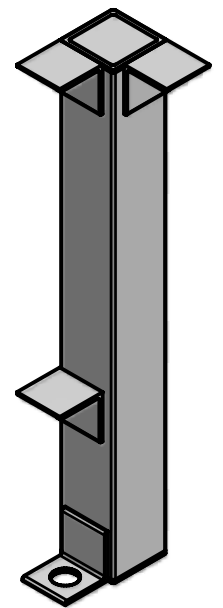
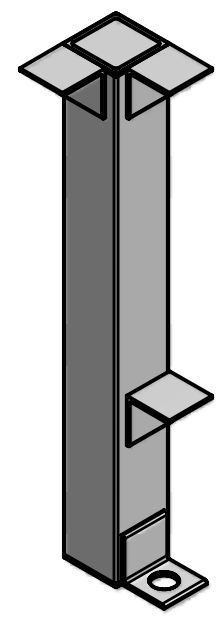
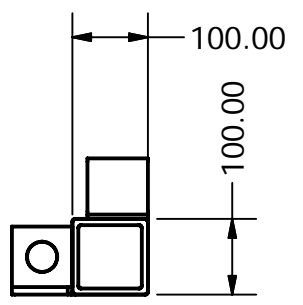
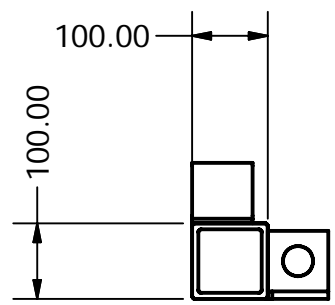
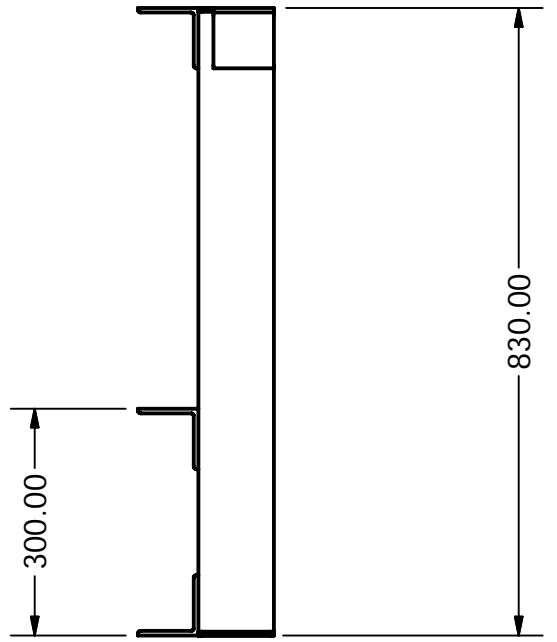
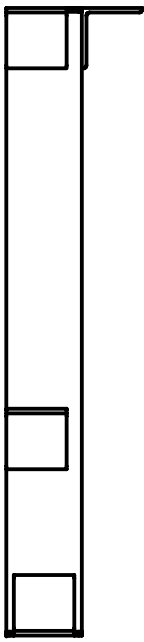
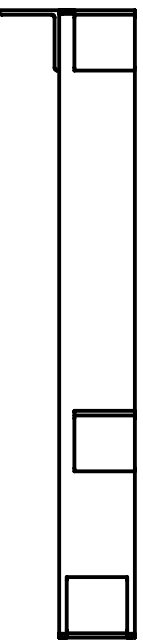
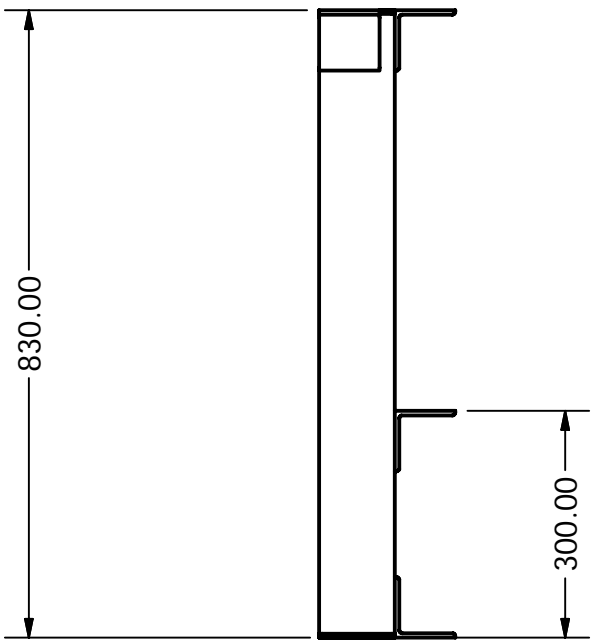
Front right leg



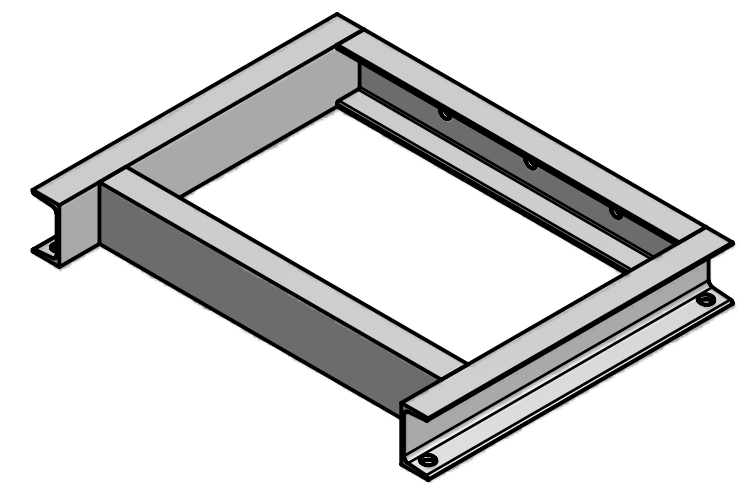
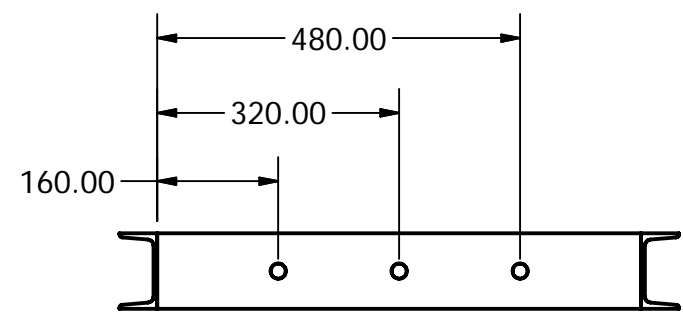
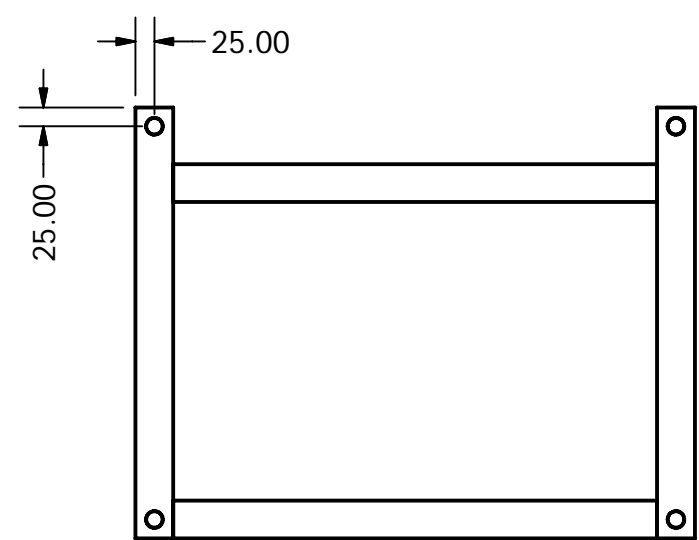
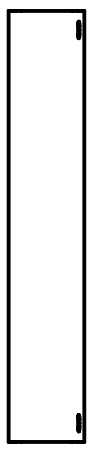
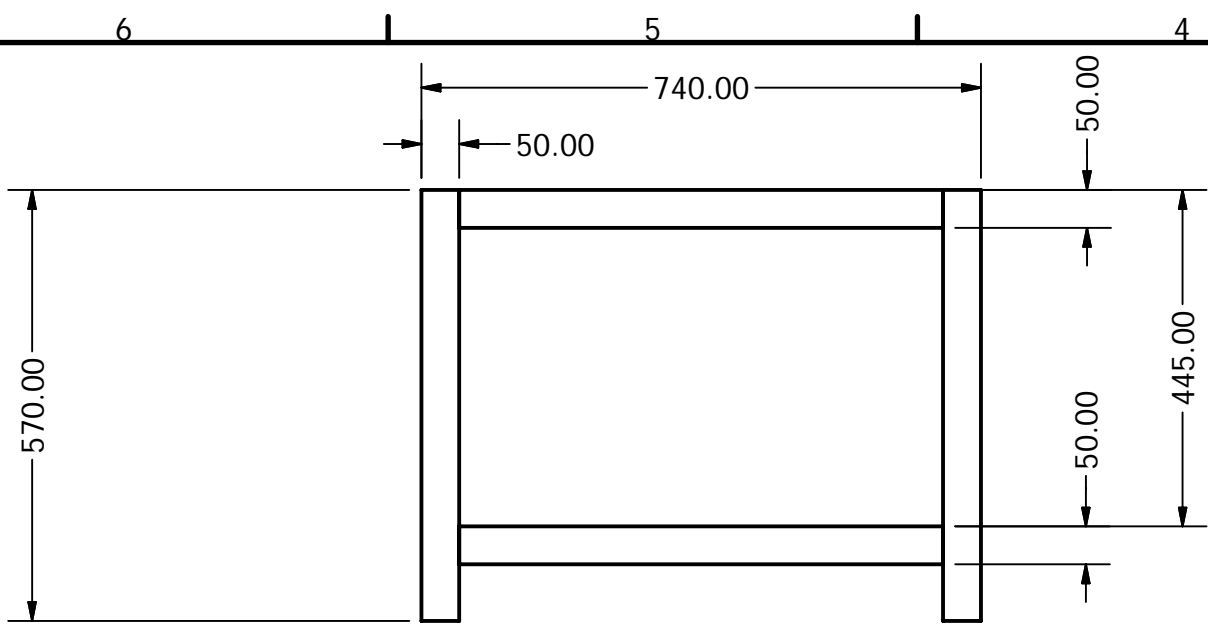
DRAWN	Lex	1/8/2009		
CHECKED				
QA				
MFG				
APPROVED				
		TITLE Front Legs, support Box #1		
		SIZE A3	DWG NO Support_Box1_last	REV
		SCALE 1:10	SHEET 4 OF 7	

Back left leg

Back right leg

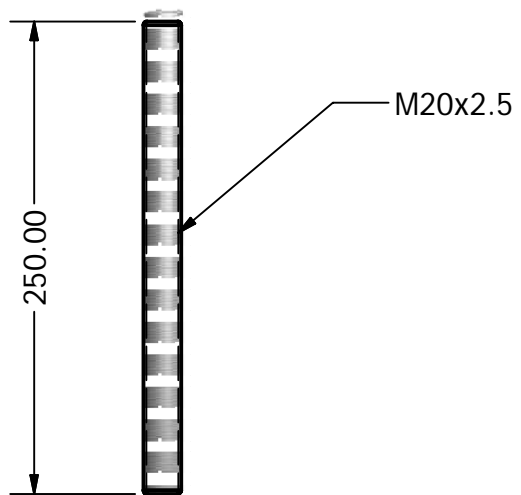


DRAWN	Lex	1/8/2009		
CHECKED				
QA				
MFG				
APPROVED				
		TITLE		
		Back Legs, support Box #1		
		SIZE	DWG NO	REV
		A3	Support_Box1_last	
		SCALE	SHEET 5 OF 7	
		1:10		



DRAWN	Lex	1/8/2009		
CHECKED				
QA				
MFG				
APPROVED				
		TITLE Top C-beam assembly, support Box #1		
		SIZE	DWG NO	REV
		A3	Support_Box1_last	
		SCALE	SHEET 6 OF 7	
		1:10		

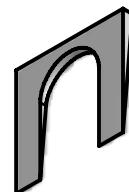
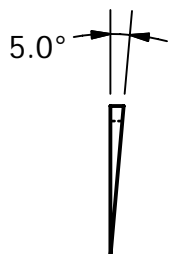
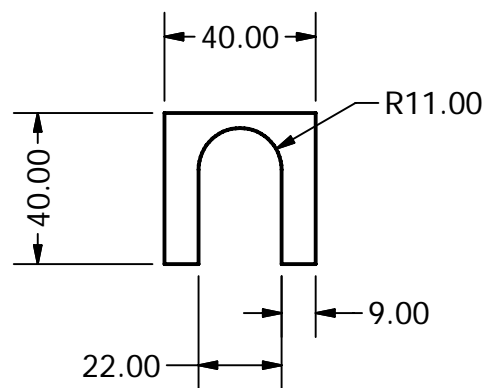
Rod



Quantity:

- Rod - 4
- Fork washer - 4
- Washer - 4

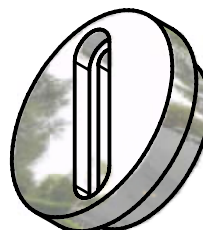
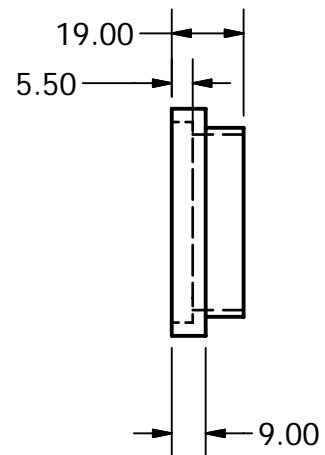
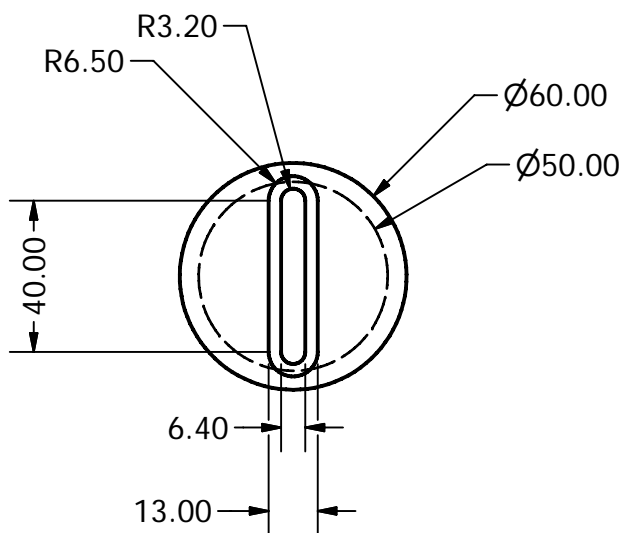
Fork washer



Standard parts:

- M20 nut - 16
- Spring washer for M20 - 16
- Plain washer for M20 - 16

Washer



DRAWN	Lex	1/8/2009	TITLE Auxiliary parts, support Box #1		
CHECKED					
QA					
MFG					
APPROVED					
			SIZE	DWG NO	REV
			A3	Support_Box1_last	
			SCALE	1:10	SHEET 7 OF 7