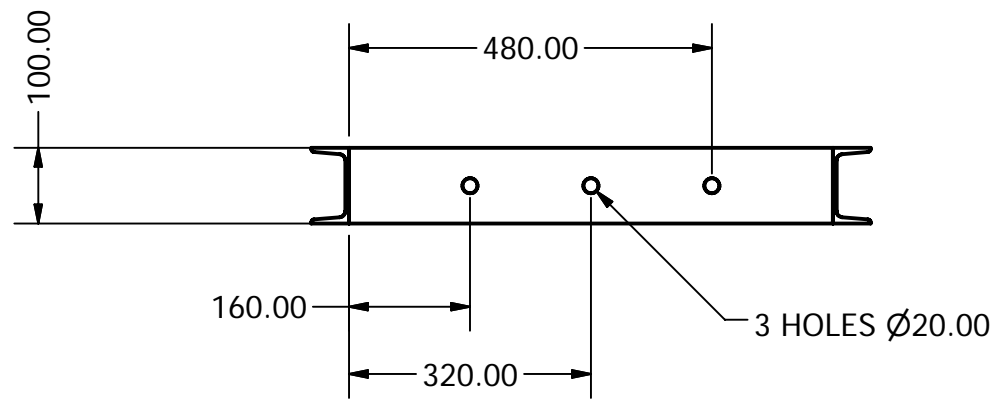
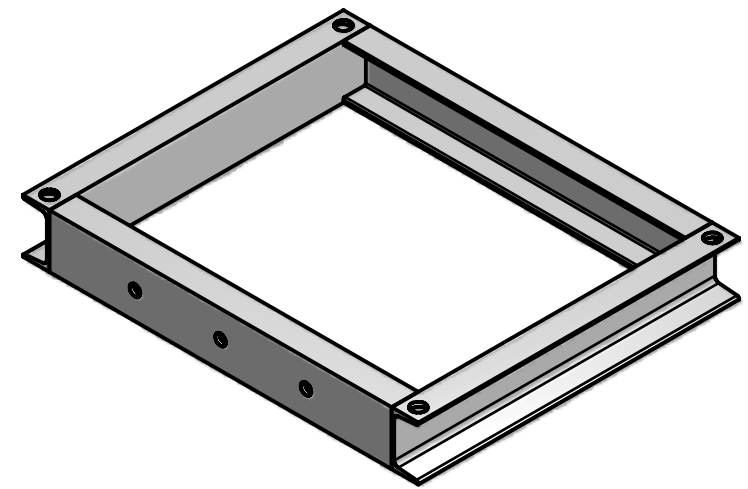
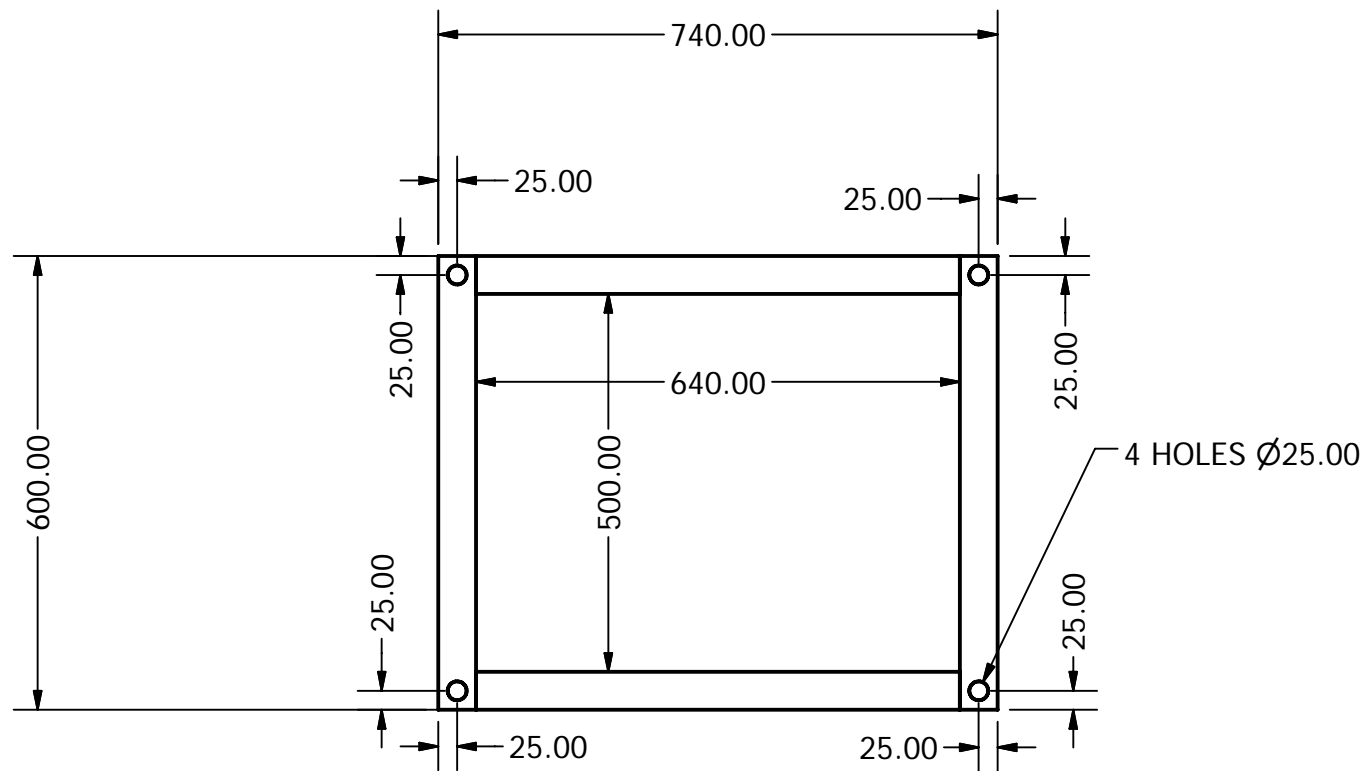
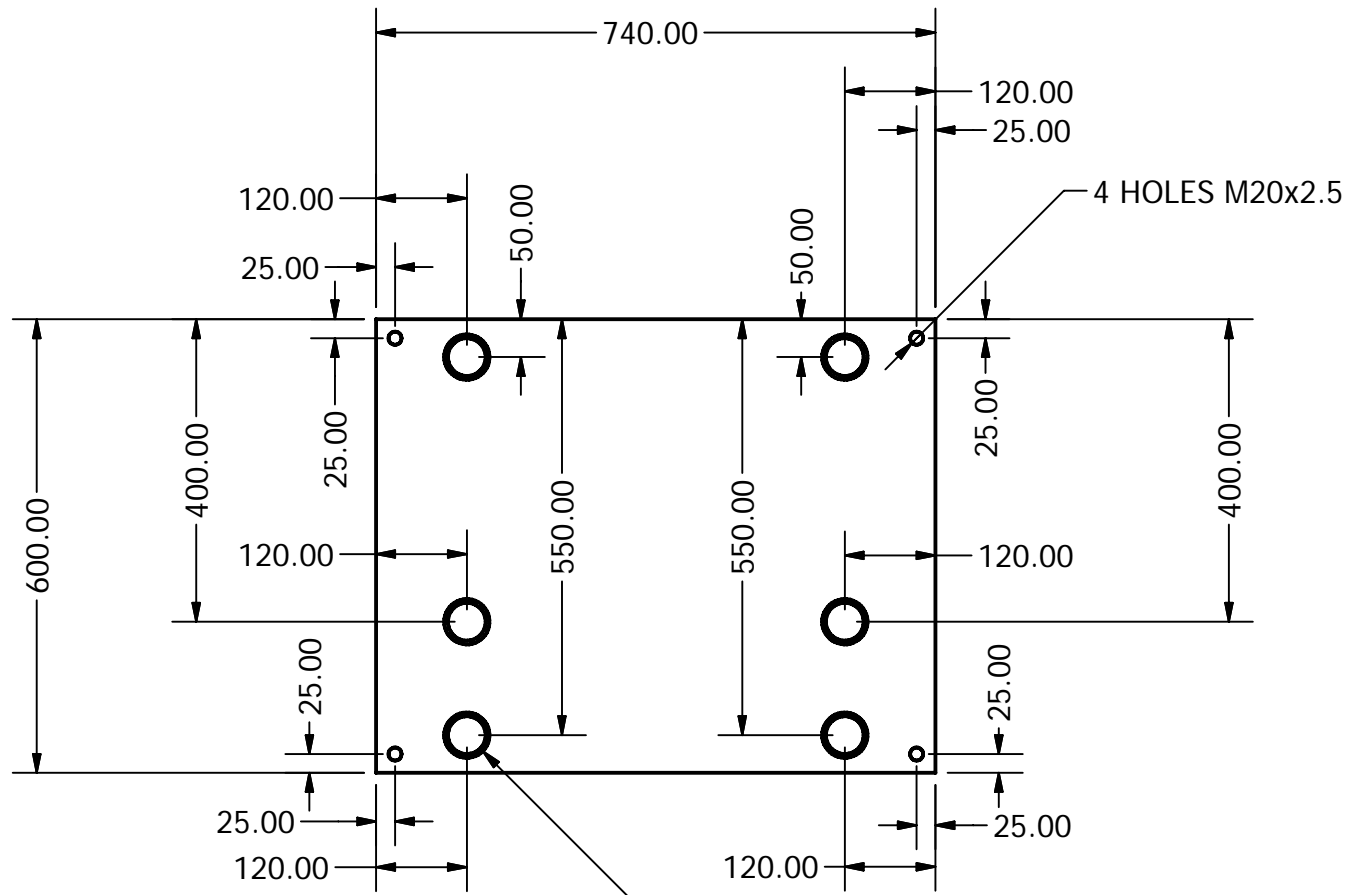


DRAWN	Lex	1/15/2009
CHECKED		
QA		
MFG		
APPROVED		

TITLE		
Support Box #2 General dimensions		
SIZE	DWG NO	REV
A3	Support_Box2_last	
SCALE	1:10	SHEET 1 OF 4

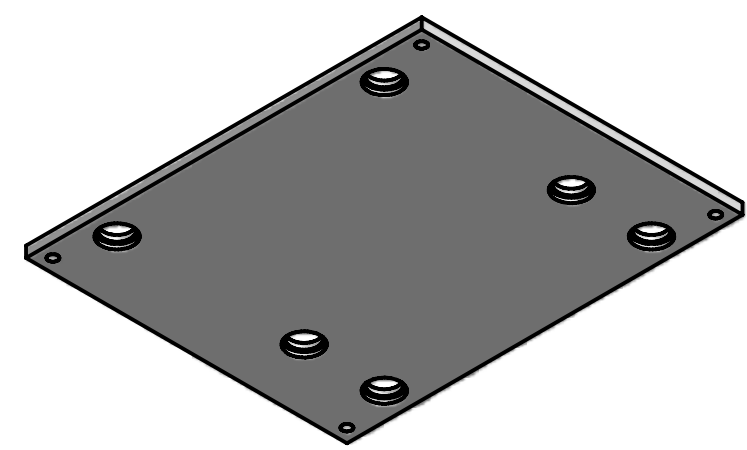
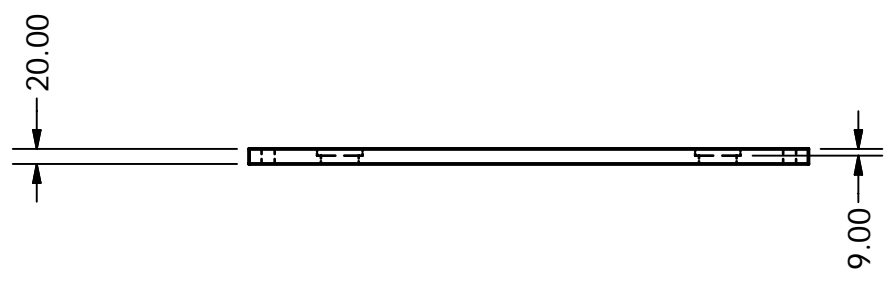


DRAWN Lex	1/15/2009	TITLE Top C-beam assembly, Box #2		
CHECKED				
QA				
MFG				
APPROVED		SIZE A3	DWG NO Support_Box2_last	REV
		SCALE 1:10	SHEET 2 OF 4	



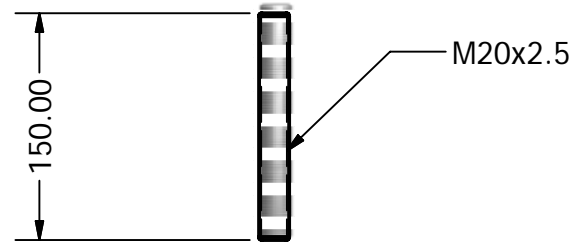
6 HOLES $\varnothing 50.00$ THROU
 $\sqcup \varnothing 60.00 \nabla 9.00$

4 HOLES M20x2.5



DRAWN Lex	1/15/2009	TITLE Top plate, Box #2		
CHECKED				
QA				
MFG				
APPROVED		SIZE A3	DWG NO Support_Box2_last	REV
		SCALE 1:10	SHEET 3 OF 4	

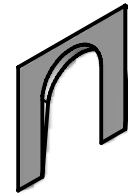
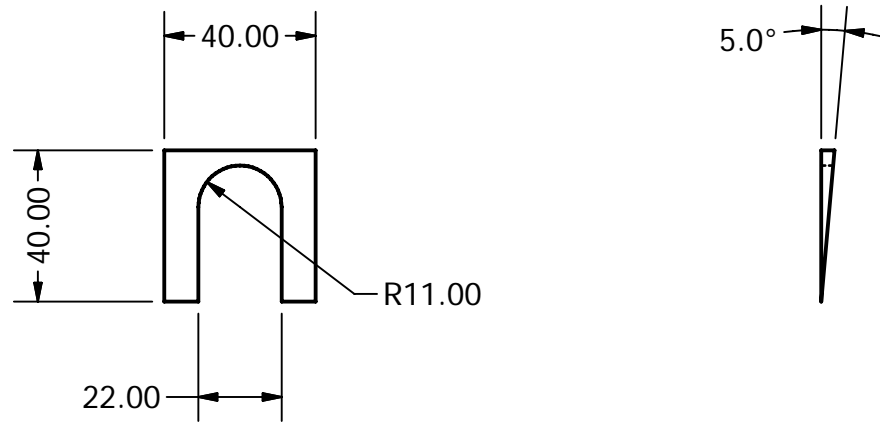
Rod



Quantity:

Rod - 4
Fork washer - 4
Washer - 4

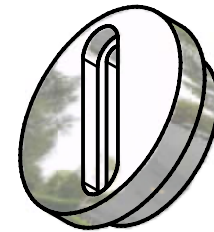
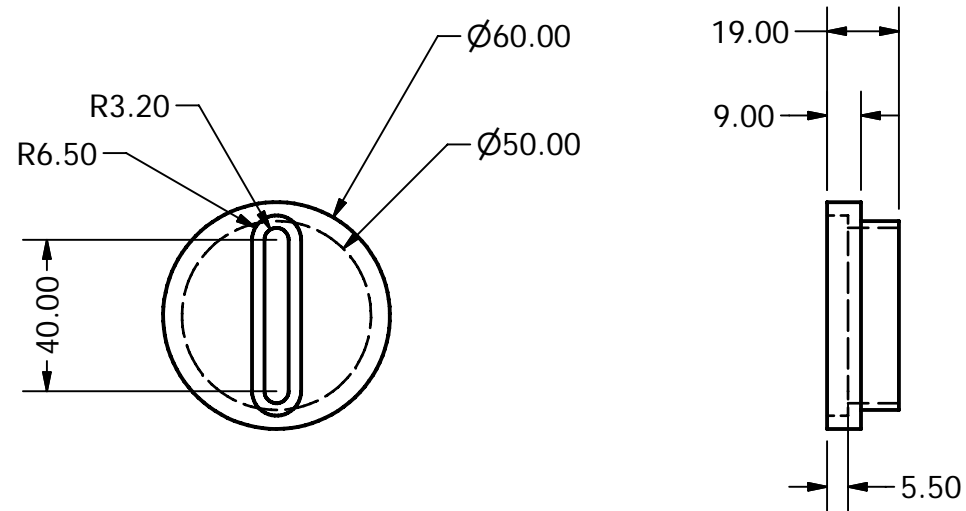
Fork washer



Standard parts:

M20 nut - 12
Spring washer for M20 - 12
Plain washer for M20 - 12

Washer



DRAWN Lex	1/15/2009	TITLE Auxiliary parts, Box #2		
CHECKED				
QA				
MFG				
APPROVED		SIZE A3	DWG NO Support_Box2_last	REV
		SCALE	SHEET 4 OF 4	