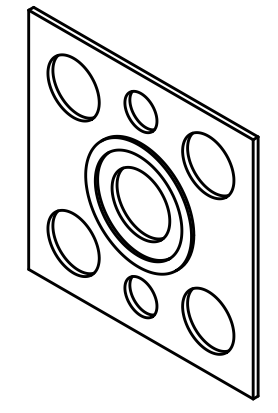
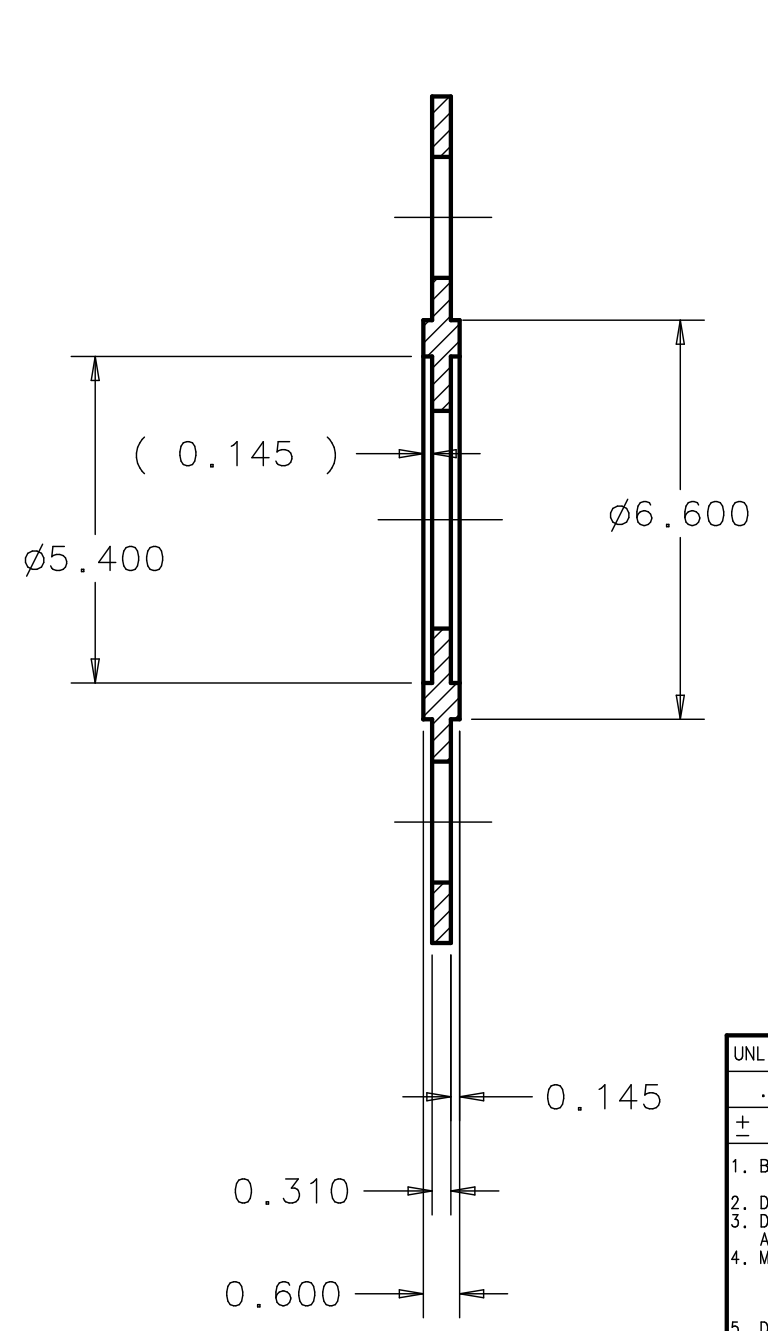
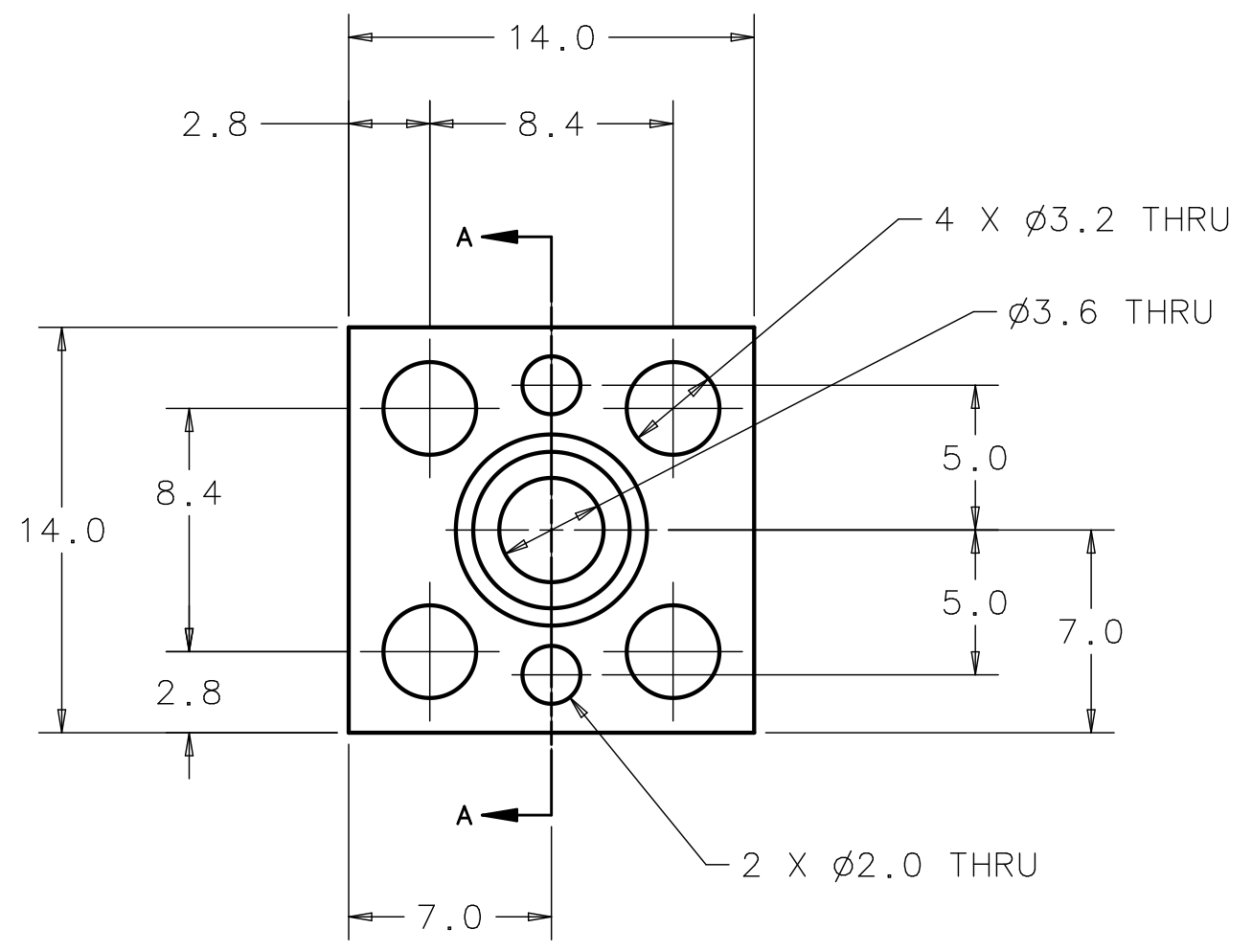


REV	DESCRIPTION	DRAWN	DATE
		APPROVED	DATE



- NOTES:  
 1) SIMILIAR TO VAT PN 94945-01  
 2) FOR USE IN UHV AND CRYOGENIC ENVIRONMENTS

SECTION A-A  
SCALE- 8:1

UNLESS OTHERWISE SPECIFIED			ORIGINATOR	B.VOSMEK	28-MAR-2011
.XXX	.XX	ANGLES	DRAWN	D.SCHMITT	28-MAR-2011
± .100	± .20	± 1°	CHECKED	B.VOSMEK	28-MAR-2011
1. BREAK ALL SHARP EDGES .38 MAX. 2. DO NOT SCALE DRAWING. 3. DIMENSIONS BASED UPON ASME Y14.5M-1994 4. MAX. ALL MACH. SURFACES 1.6 / √ 5. DRAWING UNITS: METRIC			APPROVED	B.VOSMEK	28-MAR-2011
			USED ON		
			MATERIAL	SILVER PLATED COPPER	

 FERMIONATIONAL ACCELERATOR LABORATORY  
UNITED STATES DEPARTMENT OF ENERGY

CERN COMPACT LINEAR COLLIDER  
BEAM POSITION MONITOR  
UHV MICROWAVE FEED THRU SEAL

SCALE	DRAWING NUMBER	SHEET	REV
4:1	0000.000-MB-138318	1 OF 1	

CREATED WITH : Ideas12NXSeries GROUP: ACCELERATOR MECH. SUPPT.