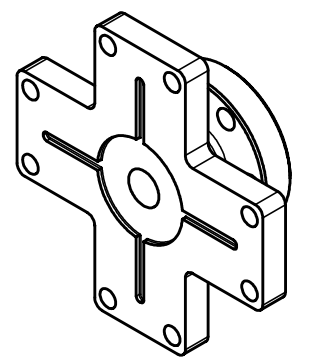
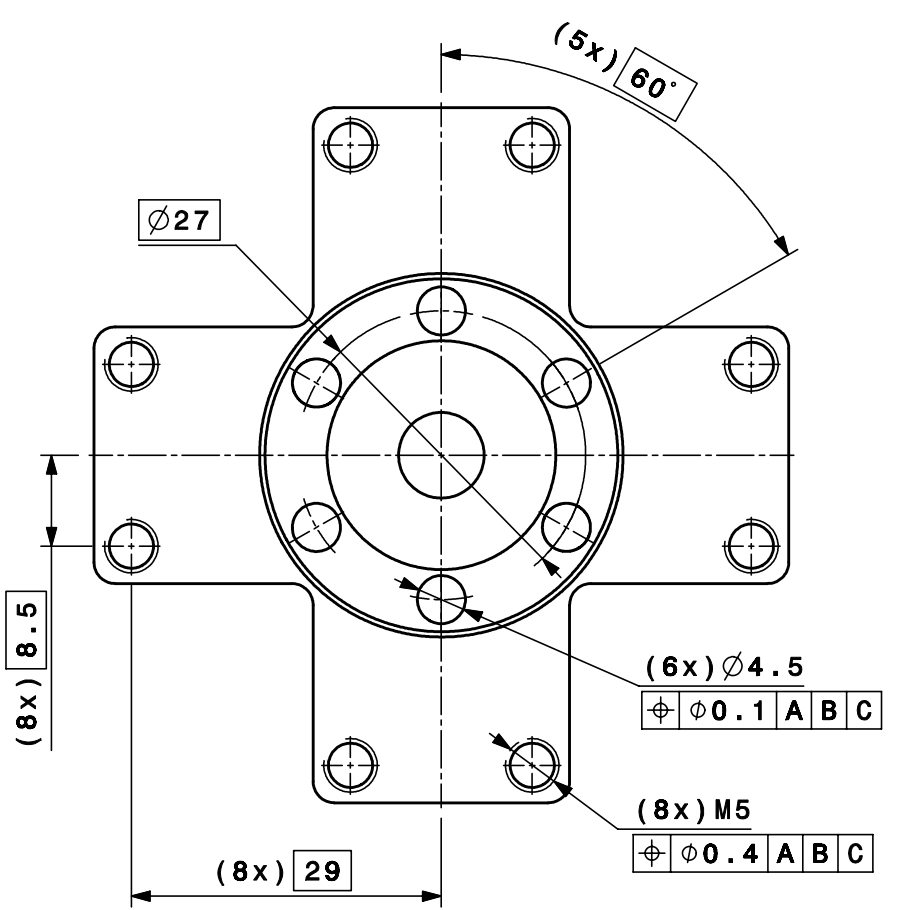
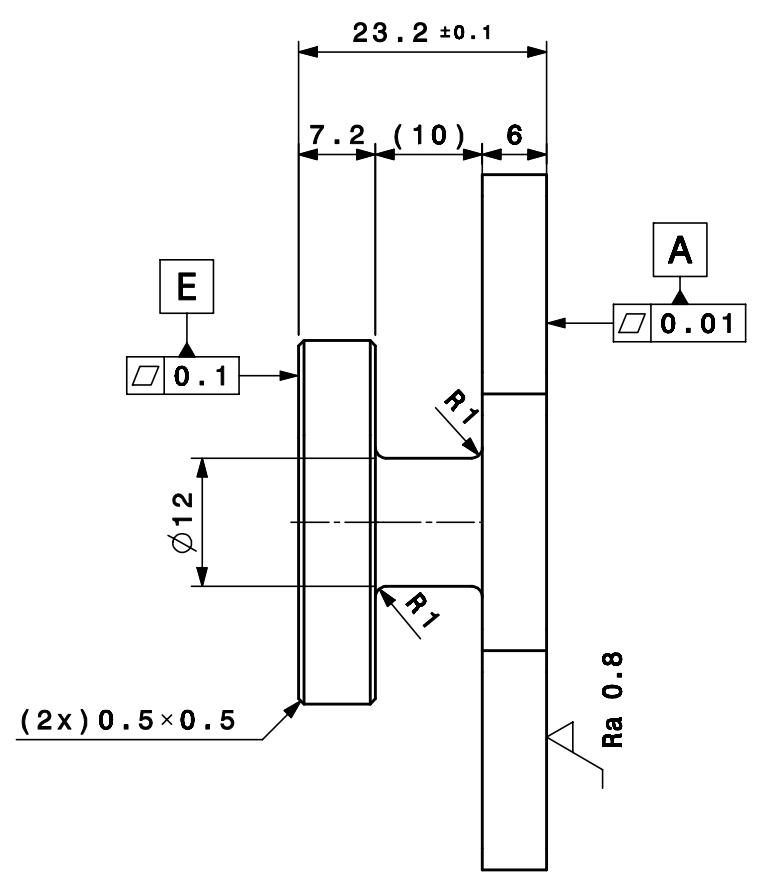
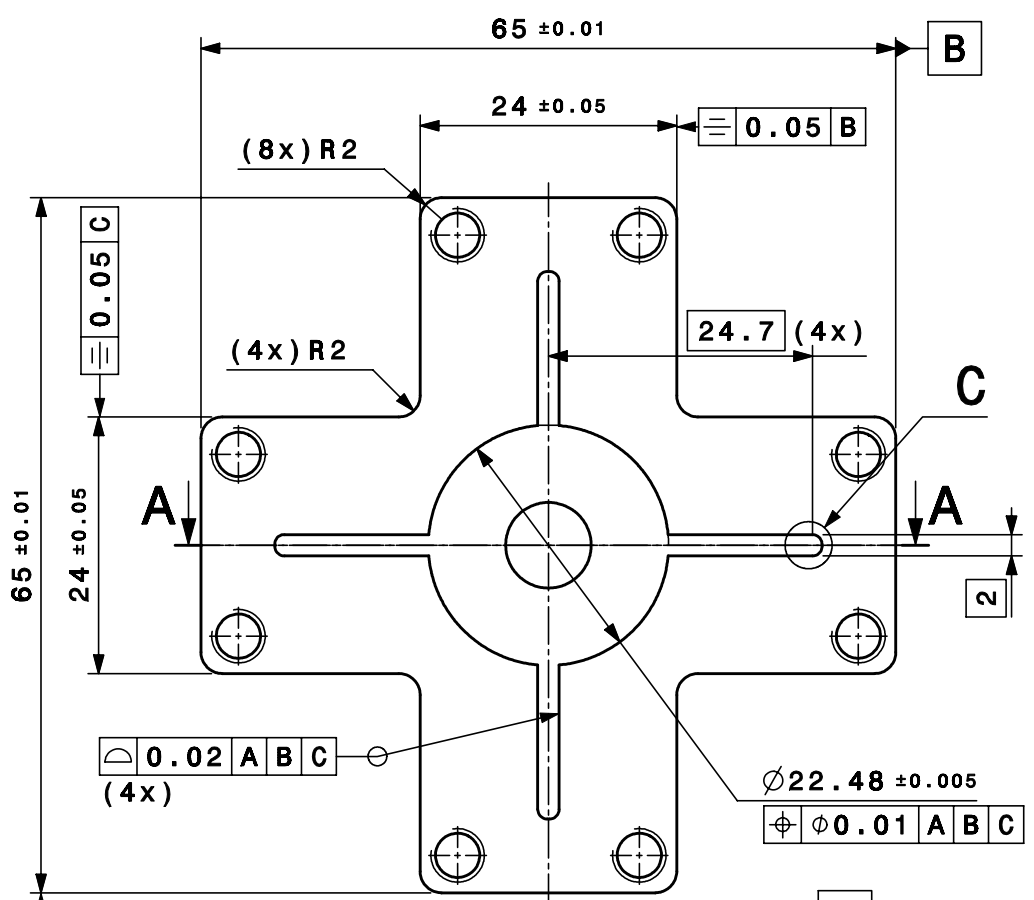
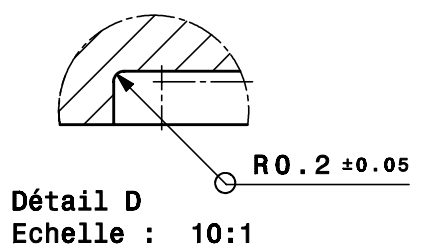
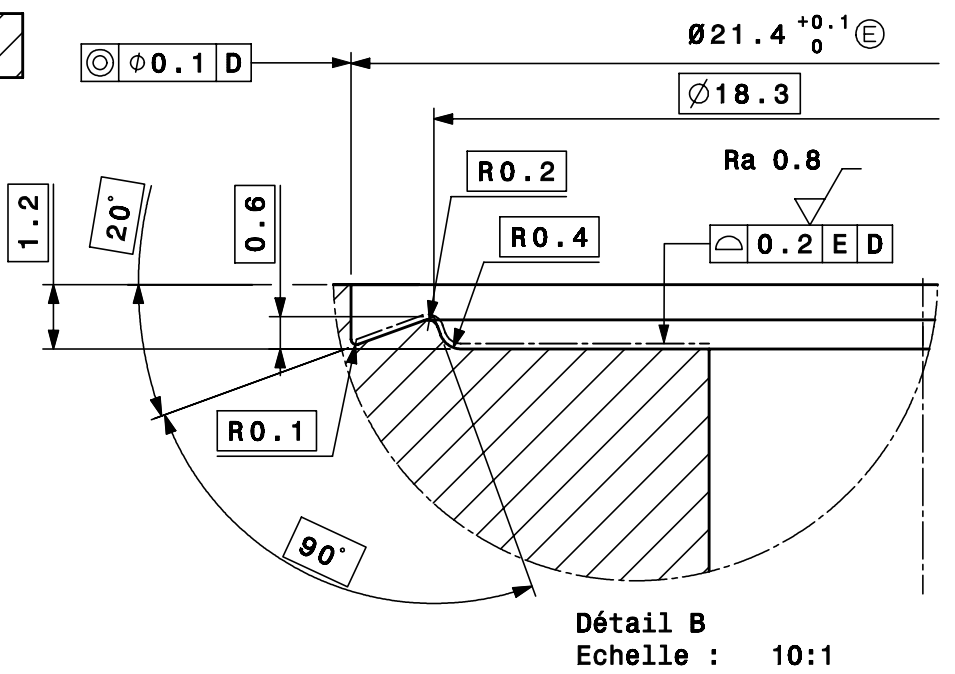
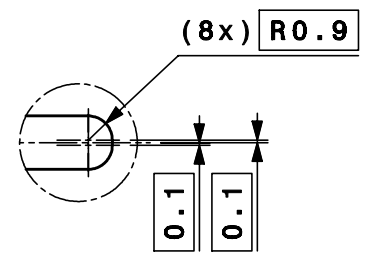
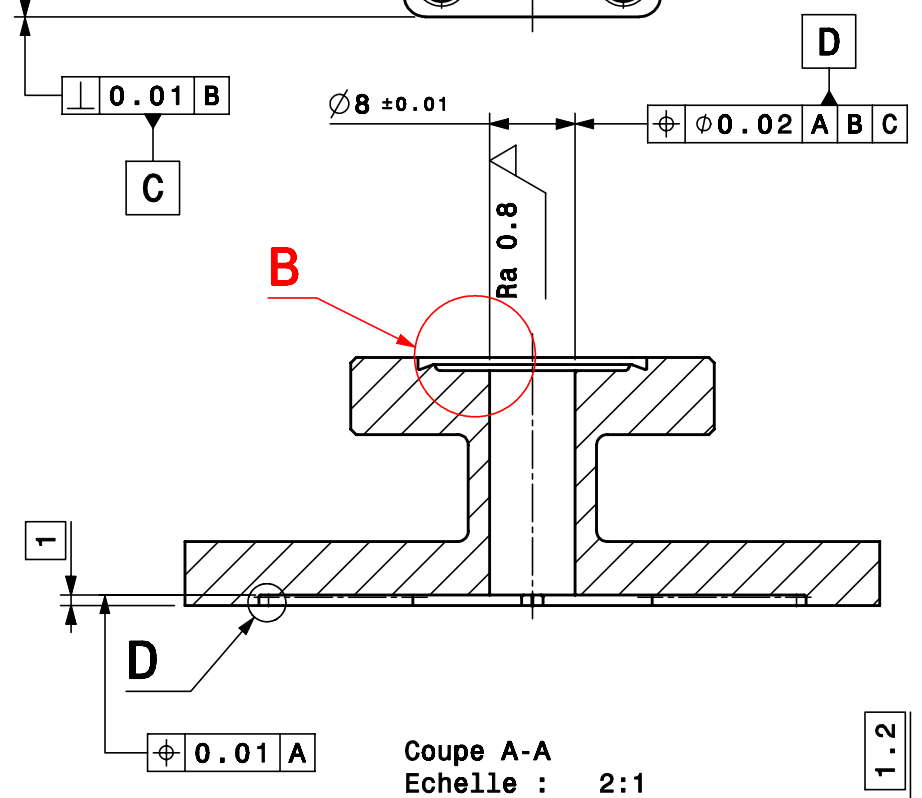


DESIGN, RIGIDITY, TOLERANCES
 DRAWING, RIGIDITY, TOLERANCES
 ACCORDING TO ISO STANDARDS

ORGANISATION EUROPEENNE POUR
 LA RECHERCHE NUCLEAIRE
 EUROPEAN ORGANIZATION FOR
 NUCLEAR RESEARCH



Vue isométrique
 Echelle : 1:1



Mass = 0.161kg

1	1	St. Steel 316LN (1.4429)			
QUA	DESCRIPTION	POS	MAT.	OBSERVATIONS	REF. CERN
ENS/ASS	CLI BPMMA 0001		S.ENS/S.ASS		
ISO 2768-mK-E	√ Ra 1.6 (✓)		ISO 13715	-0.02 / +0.02	
Beam/Position/Monitor/common Mode free/type A		DES/DRA	N. CRITIN	2010-11-19	
PICK UP ASSEMBLY UPSTREAM BODY ENSEMBLE PICK UP CORPS AMONT		CONTROLLED	R. LEUXE	2011-01-14	
		RELEASED	L. SOBY	2011-03-11	
		APPROVED			
		CAD Document Number		ST0272530_02	
		REPLACES			
RELEASED BY PROJECT ENGINEER		FOR INFORMATION		QAC	
CLIBPMMA0003				SIZE	IND.
				2	