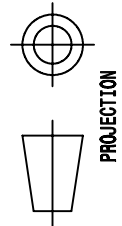
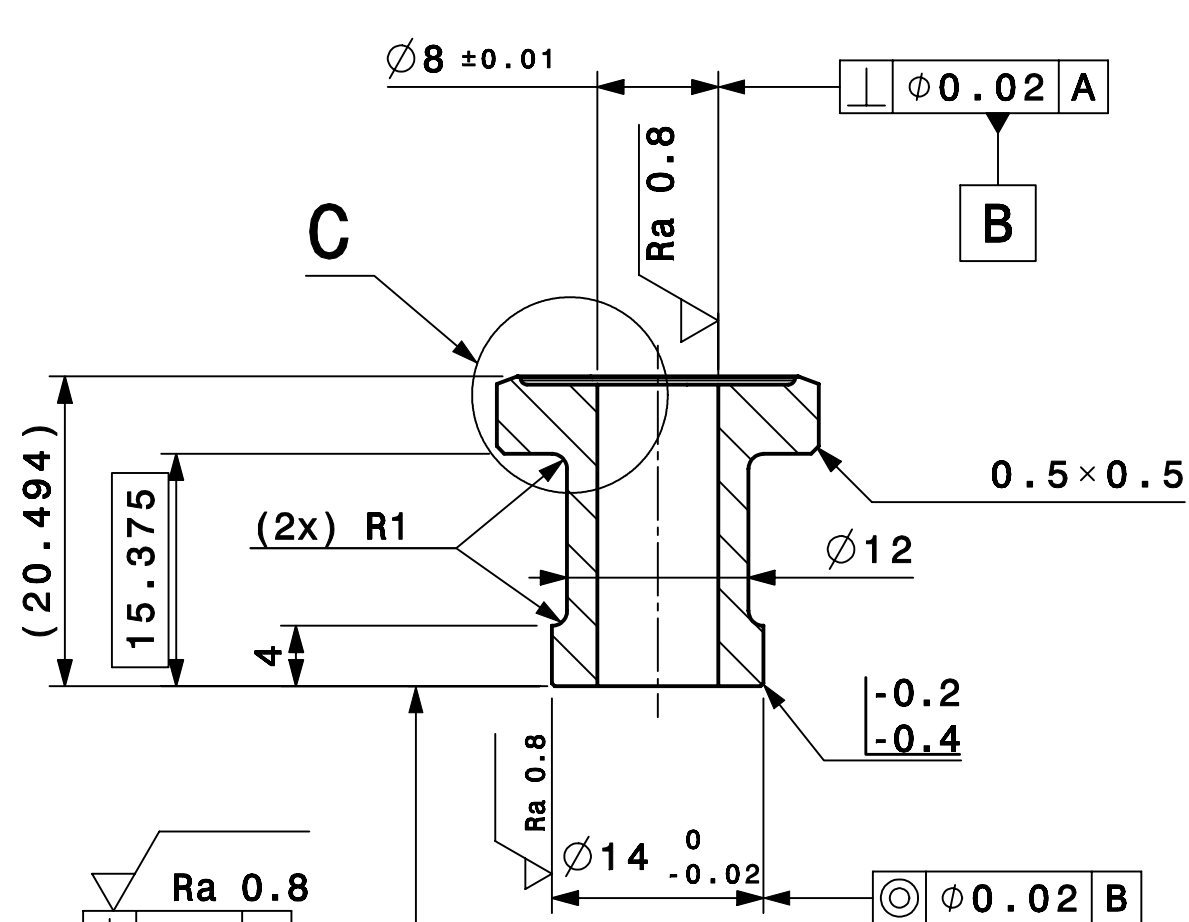


DESSIN, RUGOSITE, TOLERANCES
SELON NORMES ISO
DRAWING, RUGOSITY, TOLERANCES
ACCORDING TO ISO STANDARDS

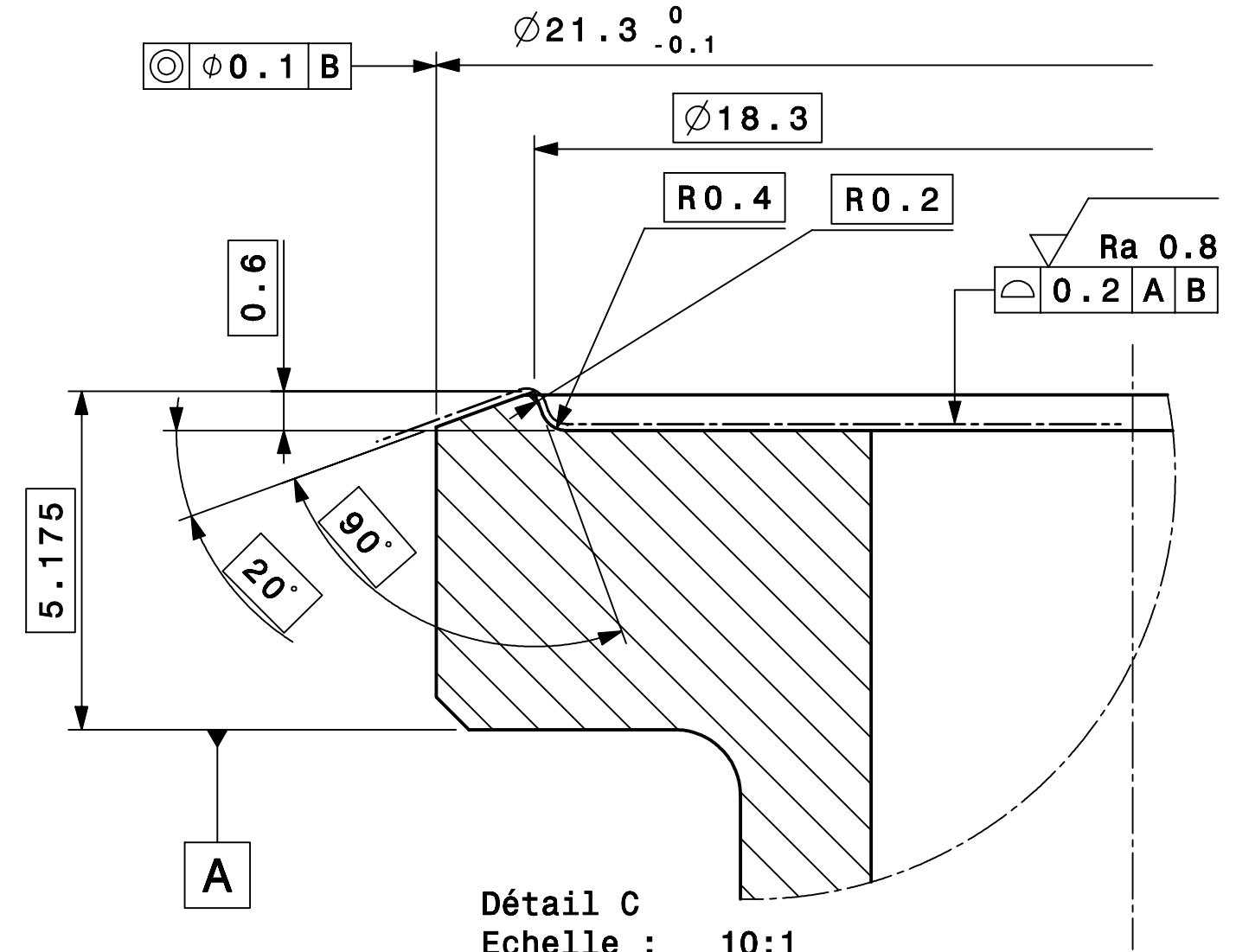
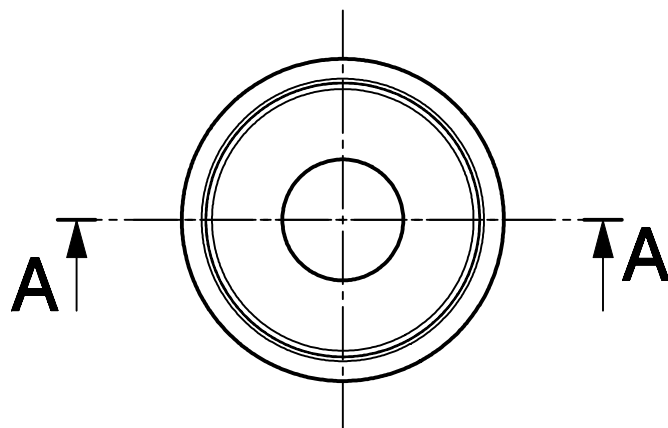


ORGANISATION EUROPEENNE POUR
LA RECHERCHE NUCLEAIRE
RESEARCH
EUROPEAN ORGANIZATION FOR NUCLEAR RESEARCH
GENEVE

Ce dessin ne peut être utilisé à des fins commerciales sans autorisation écrite
This drawing may not be used for commercial purposes without written authorisation

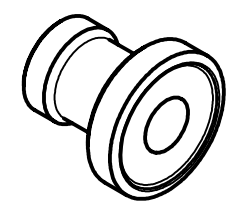


Coupe A-A
Echelle : 2:1



Détail C
Echelle : 10:1

Vue isométrique
Echelle : 1:1



1		1	St. Steel 316LN (1.4429)		
QUA	DESCRIPTION	POS	MAT.	OBSERVATIONS	REF. CERN
ENS/ASS		CLIBPMMA0001		S. ENS/S. ASS	
ISO 2768-mK-E		Ra 1.6 (✓)		ISO 13715 $\begin{matrix} -0.3 \\ +0.3 \end{matrix}$	
Beam/Position/Monitor/common Mode free/type A				DES/DRA.	R. RICOL 2010-09-06
PICK UP ASSEMBLY DOWNSTREAM FLANGE ENSEMBLE PICK UP BRIDE AVAL				CONTROLLED	R. LEUXE 2011-01-14
				RELEASED	L. SOBY 2011-03-11
				APPROVED	
SCALE				2:1	
				CAD Document Number ST0274635_02	
				REPLACES	
RELEASED BY PROJECT ENGINEER		FOR INFORMATION		QAC -	
CLIBPMMA0006				SIZE	IND.
				3	