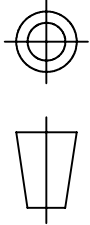
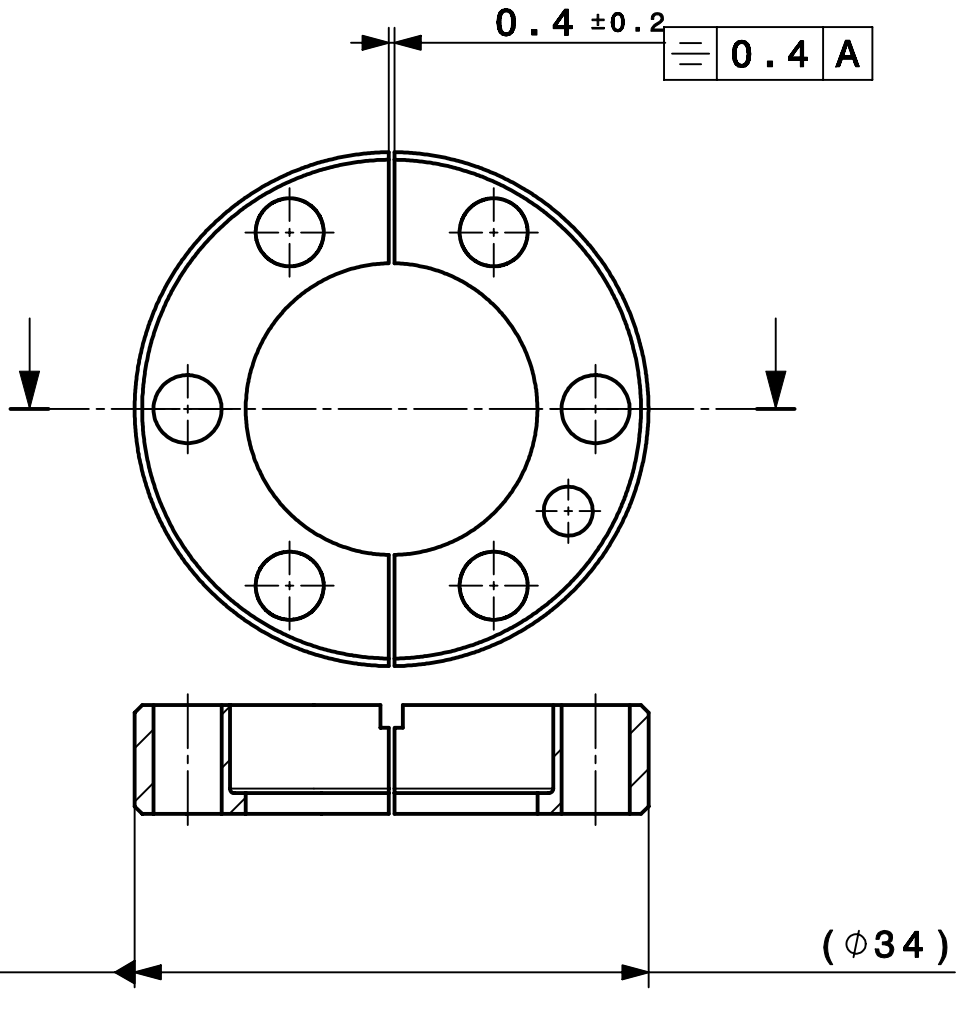


DESSIN, RUGOSITE, TOLERANCES  
SELON NORMES ISO  
DRAWING, RUGOSITY, TOLERANCES  
ACCORDING TO ISO STANDARDS



PROJECTION



ORGANISATION EUROPEENNE POUR  
LA RECHERCHE NUCLEAIRE  
EUROPEAN ORGANIZATION FOR NUCLEAR RESEARCH  
GENEVE

Ce dessin ne peut être utilisé à des fins commerciales sans autorisation écrite  
This drawing may not be used for commercial purposes without written authorisation

1	DN 16 - UHV CF ROTAT. FLANGE	1	St. Steel 316LN	STDVFUHV0004	18.60.18
	DN 16 - UHV CF BRIDE ROTA.		(1.4429)	ST0025916	350.9
QUA	DESCRIPTION	POS	MAT.	OBSERVATIONS	REF. CERN

ENS/ASS CLI BPMMA 0001 S. ENS/S. ASS

ISO 2768-mK	$\sqrt{Ra\ 3.2}$	ISO 13715	$-0.3$ $+0.3$
-------------	------------------	-----------	---------------

Beam/Position/Monitor/common Mode free/type A			DES/DRA.	N. CHRITIN	2011-01-05
<b>PICK UP ASSEMBLY</b> <b>DN16 ROTATABLE HALF FLANGE</b> <b>ENSEMBLE PICK UP</b> <b>DEMI BRIDE ROTATIVE DN16</b>			CONTROLLED	R. LEUXE	2011-01-14
			RELEASED	L. SOBY	2011-03-11
			APPROVED		
			CAD Document Number ST0321533_02		
			REPLACES		

CERN	RELEASED BY	FOR	QAC	CLIBPMMA0014	SIZE	IND.
	PROJECT ENGINEER	INFORMATION	-		4	