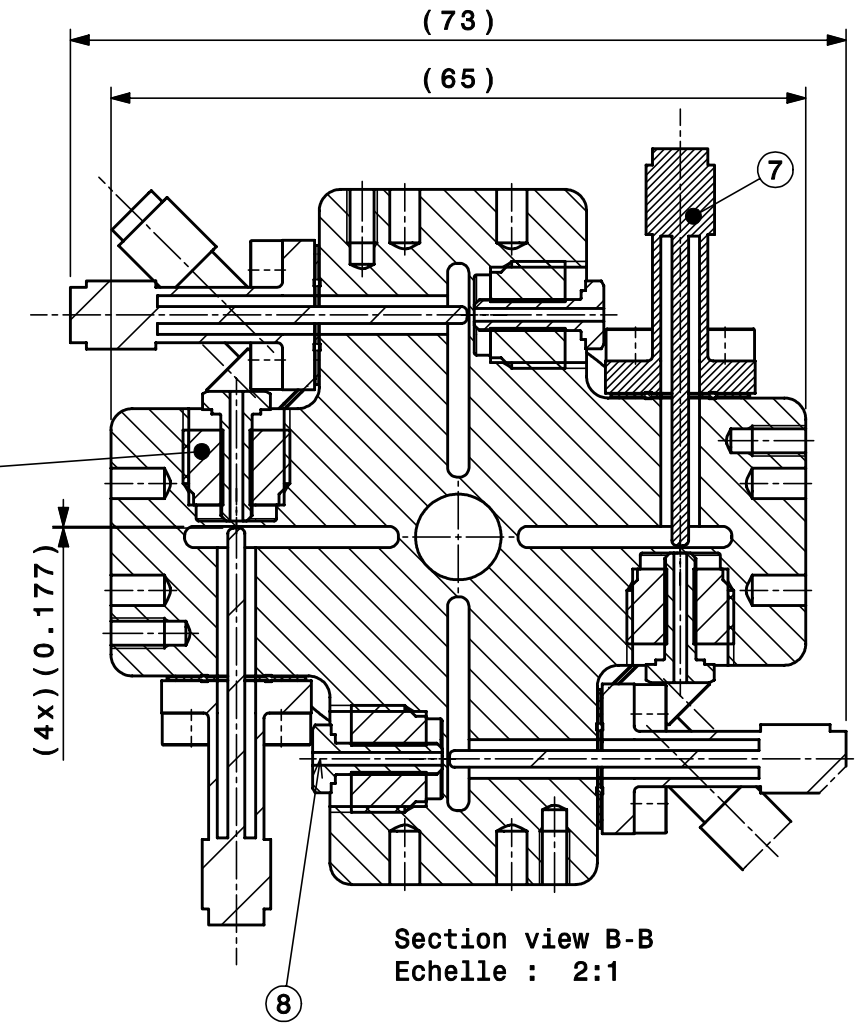
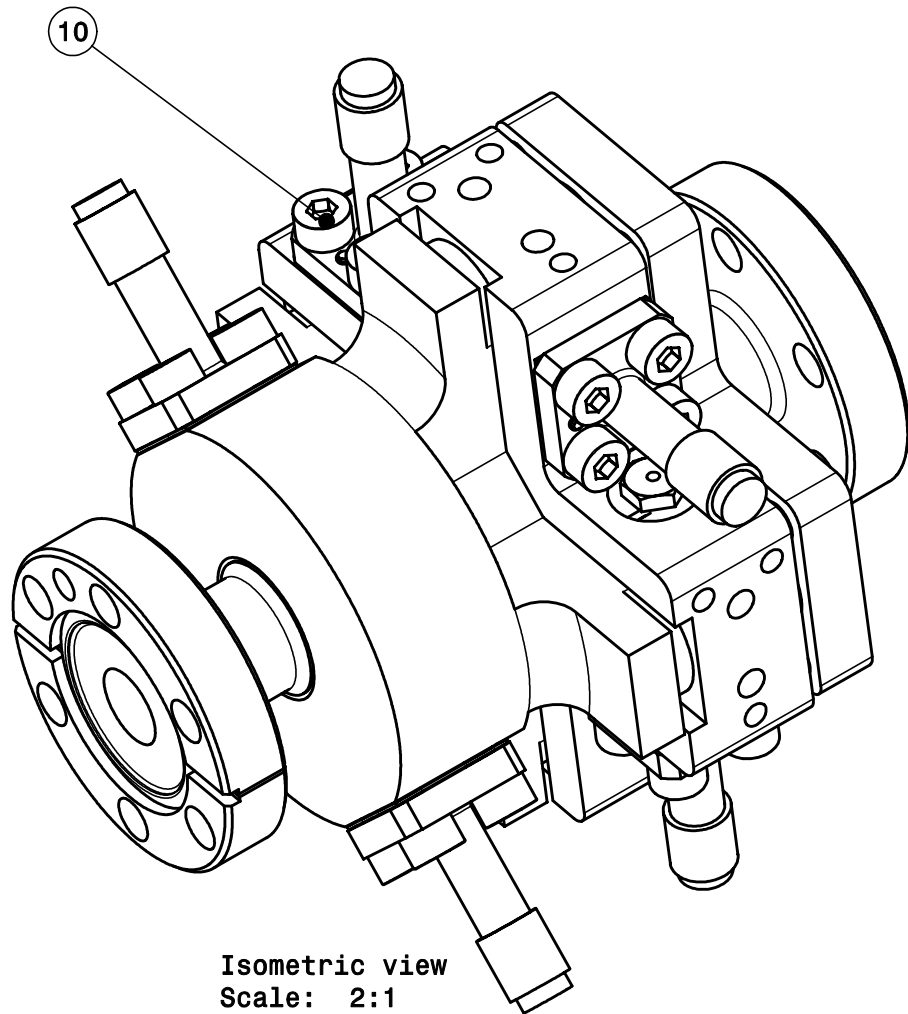


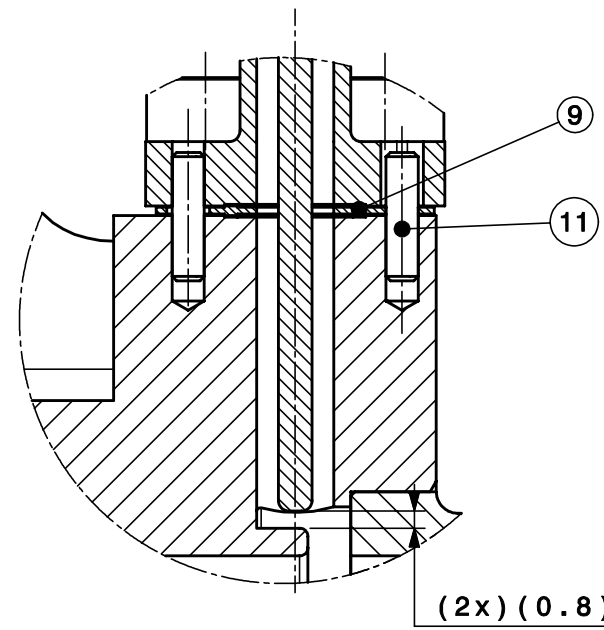
Section view A-A
Echelle : 2:1



Section view B-B
Echelle : 2:1



Isometric view
Scale: 2:1



Detail C
Echelle : 4:1

Mass 0.7 Kg

QTY	DESCRIPTION	POS	MAT.	OBSERVATIONS	REF. CERN
12	PARALLEL PIN Ø3X6MM GOUPILLE PARALLELE Ø3X6MM	11		DIN 7, BN 684, TOLERANCE h8 ST0321629	
24	HEX SKT HD CAP SCREW_M3X6 VIS CHC_M3X6	10	St. Steel A4	ISO 4762 M3x6-A4	47.62.71 102.0
6	CLIC FEEDTHROUGH SEAL JOINT TRAVERSEE CLIC	9		ST0302023	
4	MISUMI RCBAS M3X10 HC SCREW VIS HC M3X10 RCBAS MISUMI	8		ST0302053	
6	ELECTRICAL FEEDTHROUGH TRAVERSEE ELECTRIQUE	7		ST0272528	
1	DN16 ROTATABLE HALF FLANGE DEMI BRIDE ROTATIVE DN16	6		CLIBPMMA0014 ST0321533	
1	DOWNSTREAM FLANGE BRIDE AVAL	5	St. Steel 316LN (1.4429)	CLIBPMMA0006 ST0274635	
4	M10 INSERT INSERT M10	4	St. Steel 304L (1.4306)	CLIBPMMA0012 ST0302052	
1	INTERMEDIATE BODY CORPS INTERMEDIAIRE	3	St. Steel 316LN (1.4429)	CLIBPMMA0004 ST0272529	
1	MAIN BODY CORPS PRINCIPAL	2	St. Steel 316LN (1.4429)	CLIBPMMA0002 ST0272531	44.57.10 326.1
1	UPSTREAM BODY CORPS AMONT	1	St. Steel 316LN (1.4429)	CLIBPMMA0003 ST0272530	

QTY	DESCRIPTION	POS	MAT.	OBSERVATIONS	REF. CERN
ENS/ASS					
Beam/Position/Monitor/common Mode free/type A					
ASSEMBLY PICK UP ENSEMBLE PICK UP				SCALE	2:1
				DRAWN	N. CHRITIN 2010-11-19
				RELEASED	
				APPROVED	
				CAD Document Number	ST0272532_02
				REPLACES	
NON VALABLE POUR EXECUTION NOT VALID FOR EXECUTION			QAC	-	CLIBPMMA0001
				SIZE	2

DESSTIN, RIGIDITE, TOLERANCES
 SELON NORMES ISO
 DRAWING, RIGIDITY, TOLERANCES
 ACCORDING TO ISO STANDARDS

PROJECTION

ORGANISATION EUROPEENNE POUR
 LA RECHERCHE NUCLEAIRE
 EUROPEAN ORGANIZATION FOR
 NUCLEAR RESEARCH
 Ce dessin ne peut être utilisé à des fins commerciales sans autorisation écrite.
 This drawing may not be used for commercial purposes without written authorization.