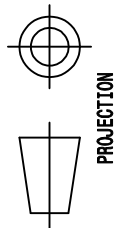


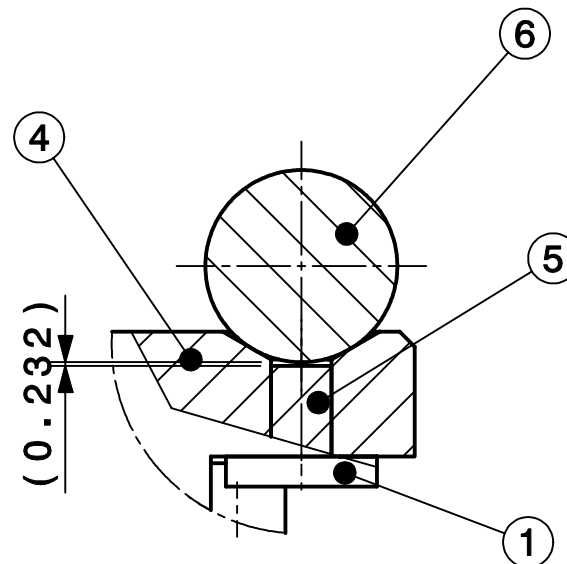
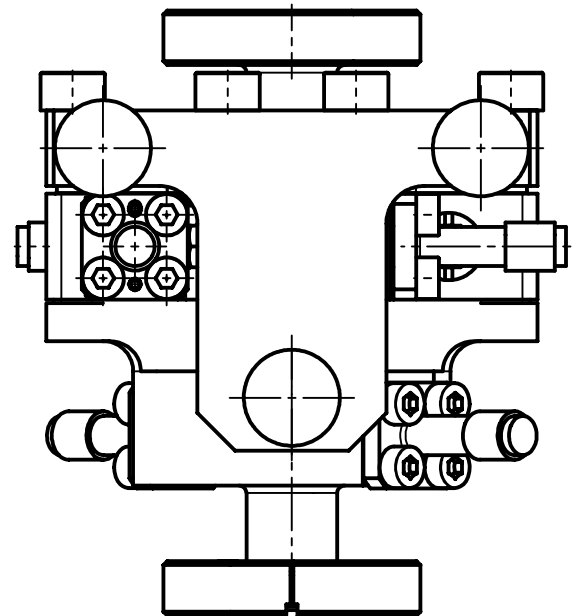
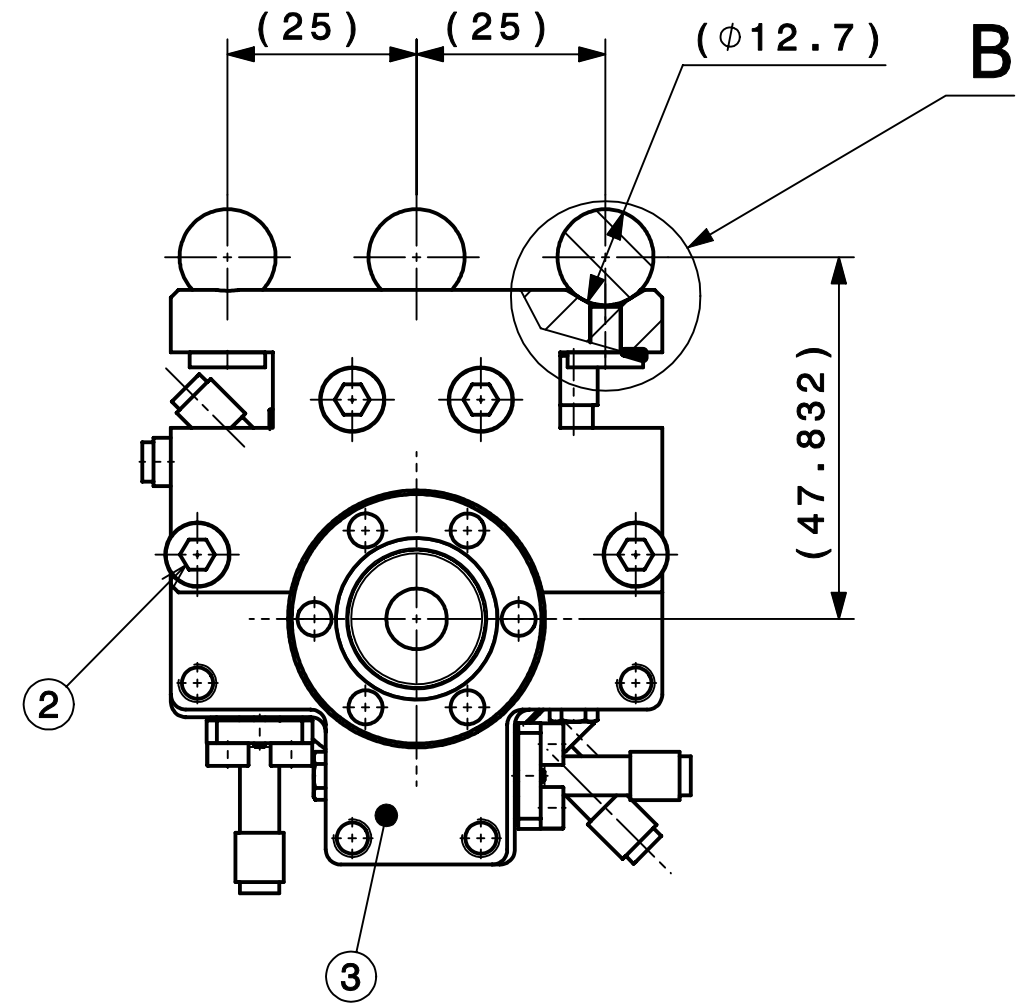
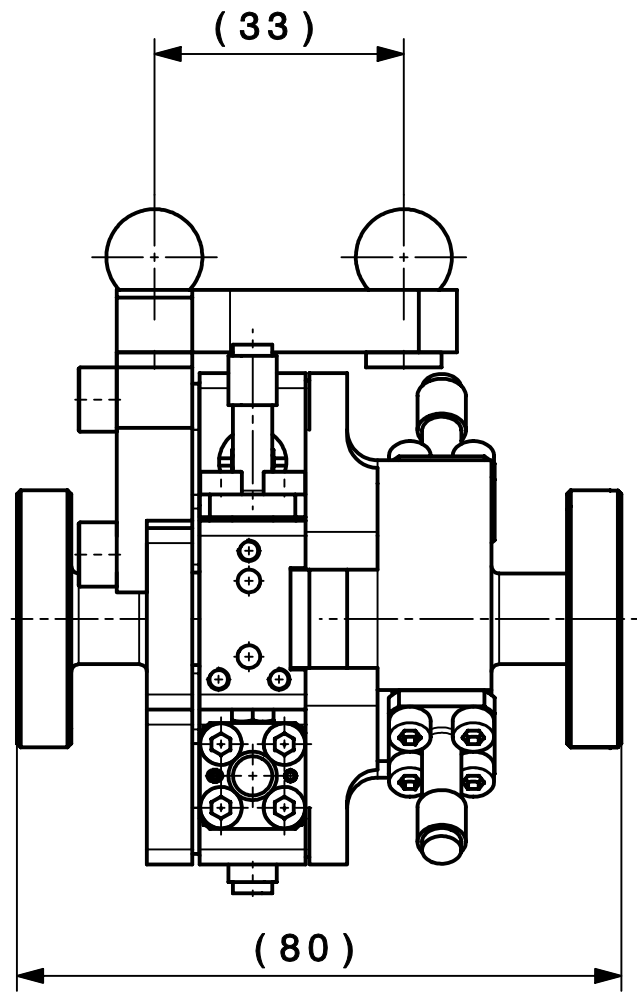
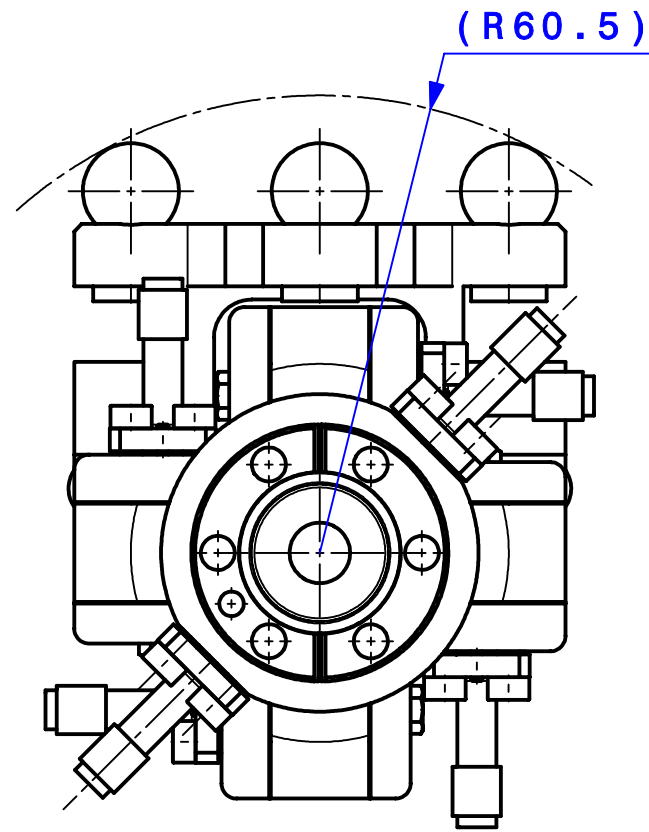
DESSIN, RUGOSITE, TOLERANCES
SELON NORMES ISO
DRAWING, RUGOSITY, TOLERANCES
ACCORDING TO ISO STANDARDS



PROJECTION

ORGANISATION EUROPEENNE POUR
LA RECHERCHE NUCLEAIRE RESEARCH
EUROPEAN ORGANIZATION FOR NUCLEAR RESEARCH
GENEVE

Ce dessin ne peut être utilisé à des fins commerciales sans autorisation écrite
This drawing may not be used for commercial purposes without written authorisation



Detail B
Scale: 2:1

3	SPHERE 0.5"	6				
	SPHERE 0.5"			ST0313906		
3	PERMANENT MAGNET Ø4, L= 6MM	5				
	AIMANT PERMANENT Ø4, L= 6MM			ST0313897		
1	TARGETS SUPPORT	4	Alu EN AW-6082 (T4)	CLIBPMMA0013		
	SUPPORT DE MIRES			ST0313736		
1	PICK UP	3		CLIBPMMA0001		
	PICK UP			ST0272532		
4	HEX SKT HD CAP SCREW_M5X10	2	St. Steel A4	ISO 4762 M5x10-A4	47.62.71	
	VIS CHC_M5X10				204.5	
3	WASHER FOR MAGNET	1				
	RONDELLE POUR AIMANT			ST0313964		
QUA	DESCRIPTION	POS	MAT.	OBSERVATIONS	REF. CERN	
ENS/ASS			S. ENS/S. ASS			
Beam/Position/Monitor/common Mode free/type A				DRAWN	N. CHRITIN 2010-10-06	
PICK-UP WITH SUPPORTS ASSEMBLY PICK-UP AVEC SUPPORTS ENSEMBLE				SCALE	CONTROLLED	
				1:1	RELEASED	
					APPROVED	
					CAD Document Number	ST0313738_02
				REPLACES		
NON VALABLE POUR EXECUTION NOT VALID FOR EXECUTION			QAC	CLIBPMMA0005		
			-	SIZE	IND.	
				3		