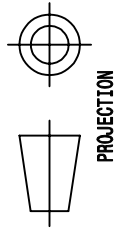


DESSIN, RUGOSITE, TOLERANCES
SELON NORMES ISO
DRAWING, RUGOSITY, TOLERANCES
ACCORDING TO ISO STANDARDS

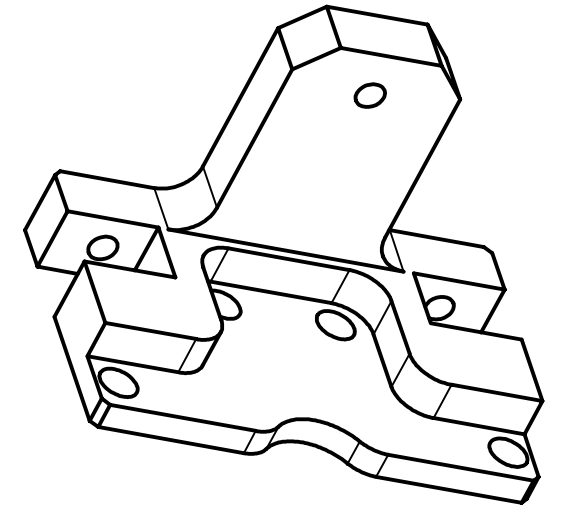
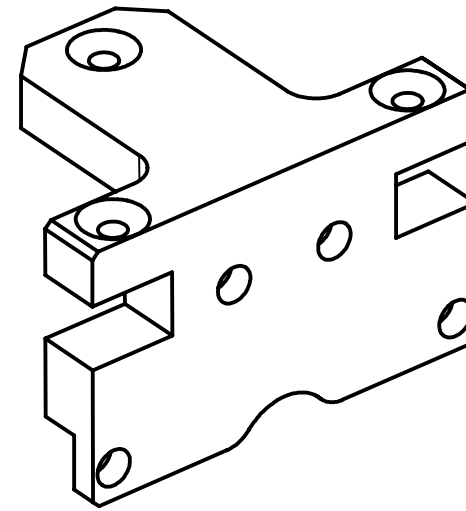
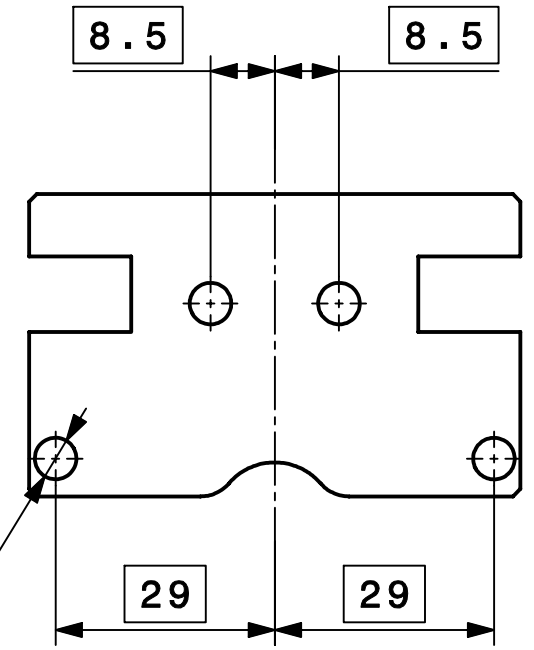
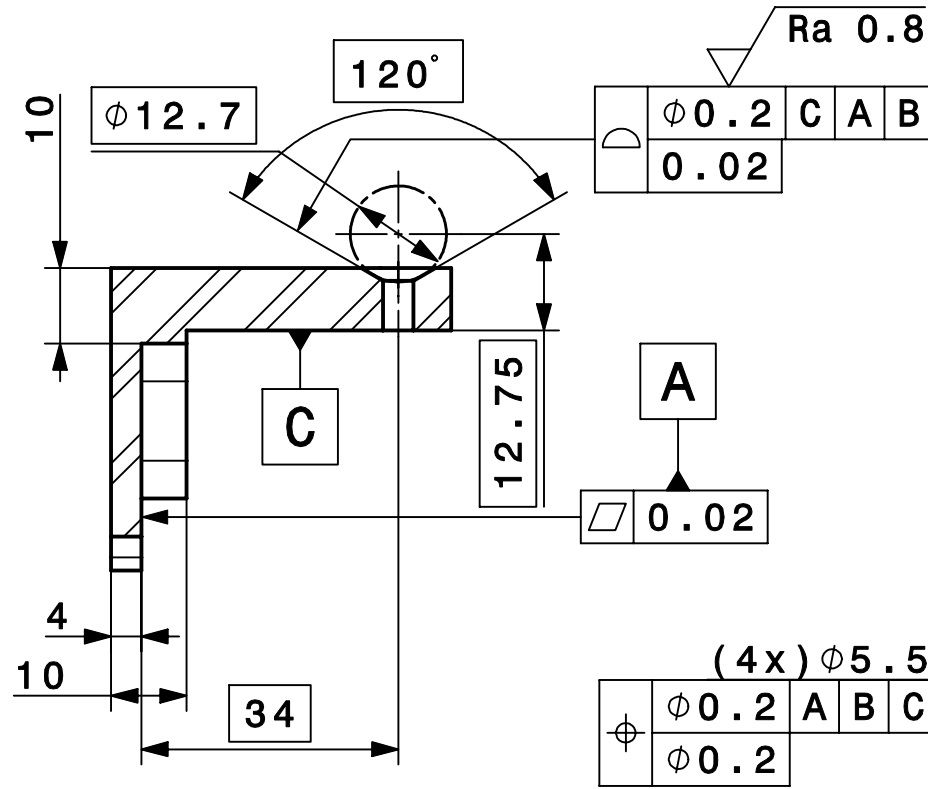
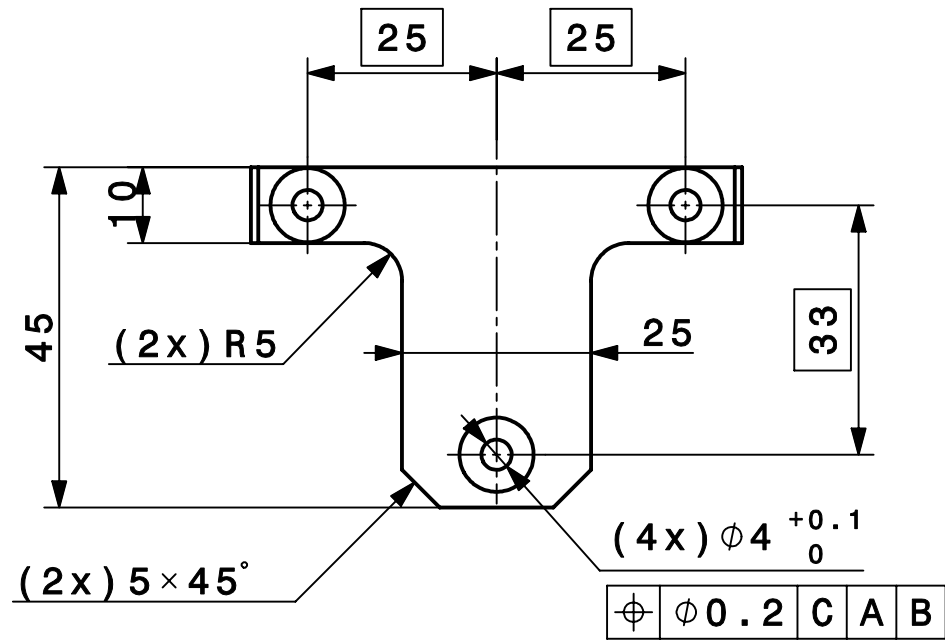
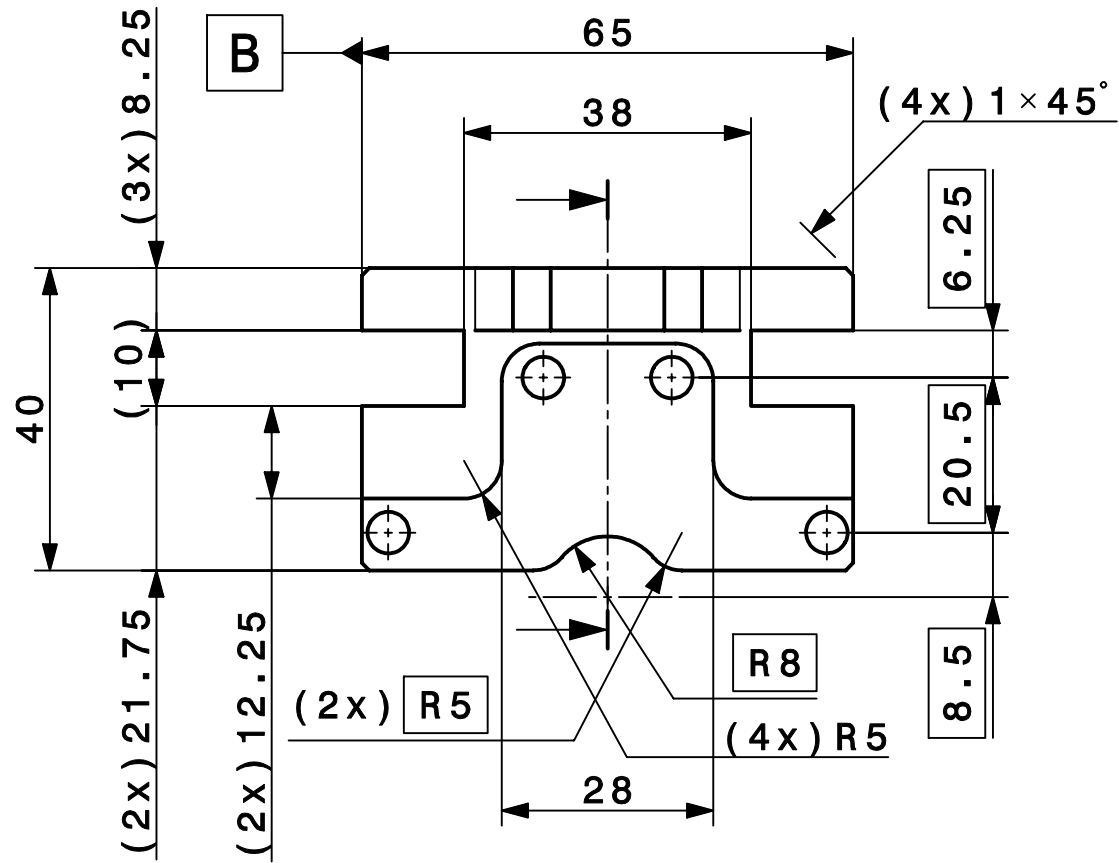


PROJECTION

ORGANISATION EUROPEENNE POUR
LA RECHERCHE NUCLEAIRE RESEARCH
EUROPEAN ORGANIZATION FOR NUCLEAR
RESEARCH



Ce dessin ne peut être utilisé à des fins commerciales sans autorisation écrite
This drawing may not be used for commercial purposes without written authorisation



1		1	Alu EN AW-6082 (T4)		
QUA	DESCRIPTION	POS	MAT.	OBSERVATIONS	REF. CERN
ENS/ASS		CLI BPMMA 0005		S. ENS/S. ASS	
ISO 2768-mK		Ra 1.6 (✓)		ISO 13715 -0.3 $+0.3$	
Beam/Position/Monitor/common Mode free/type A				DRAWN	N. CHRITIN 2010-12-01
PICK-UP ASSEMBLY TARGETS SUPPORT ENSEMBLE PICK-UP SUPPORT DE MIRES				SCALE	CONTROLLED
				1:1	RELEASED
					APPROVED
				CAD Document Number	ST0313736_02
				REPLACES	
NON VALABLE POUR EXECUTION NOT VALID FOR EXECUTION			QAC	-	SIZE IND.
CLIBPMMA0013				3	

7

6

5

4

3

2

1

e

d

c

b

a