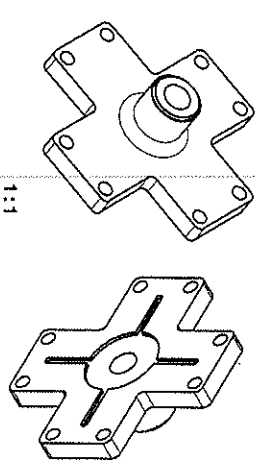
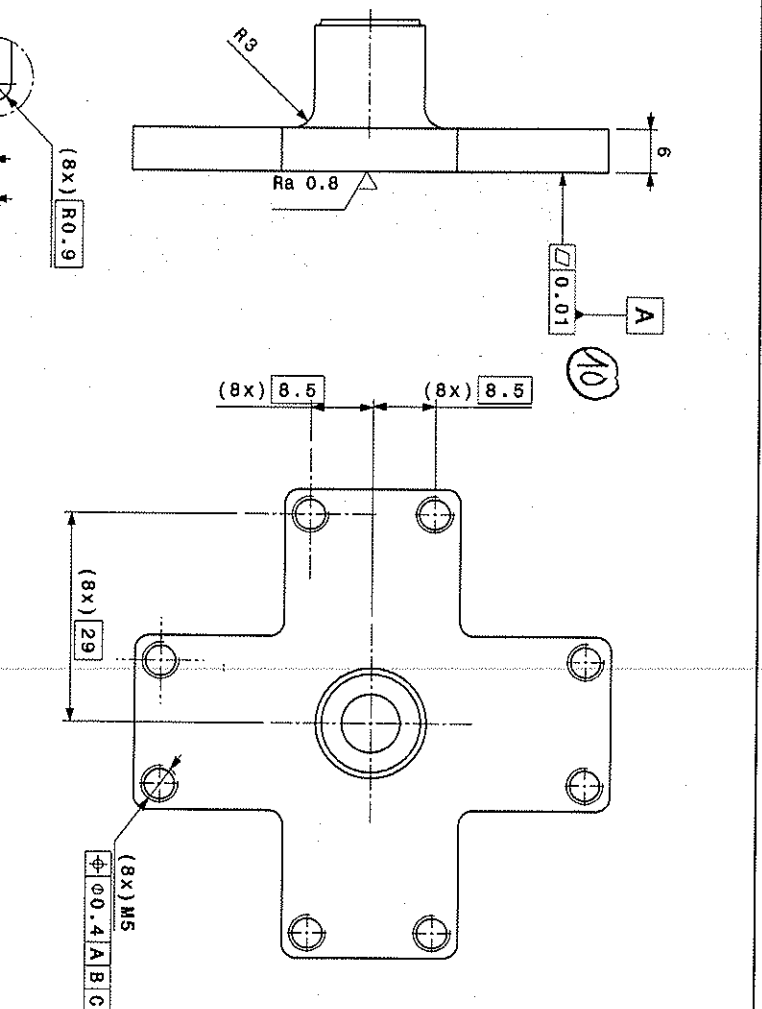
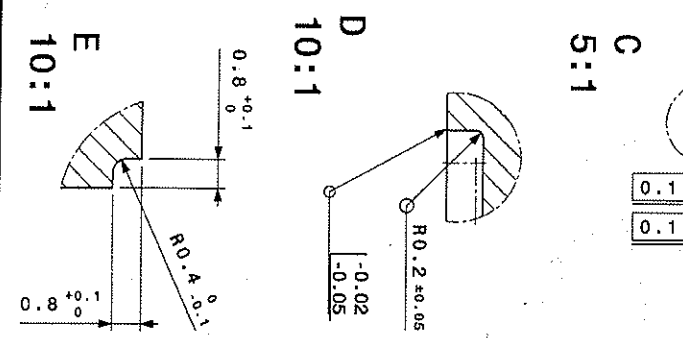
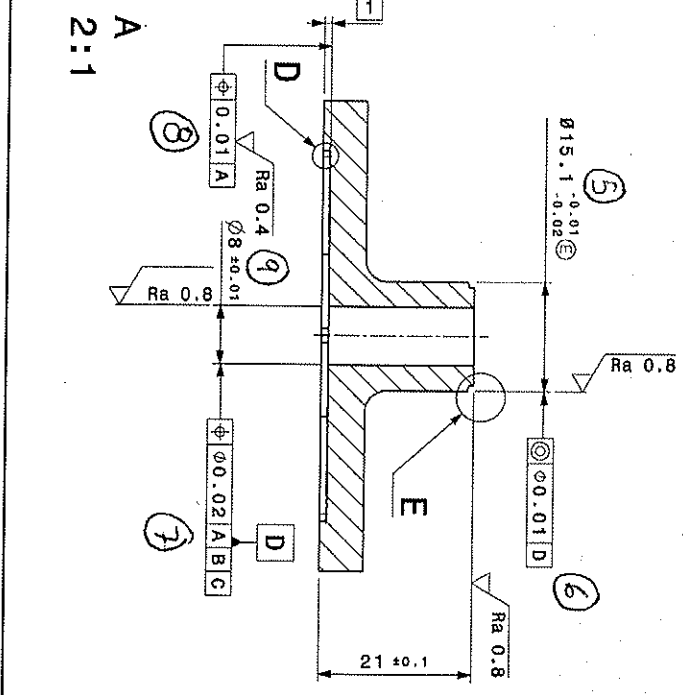
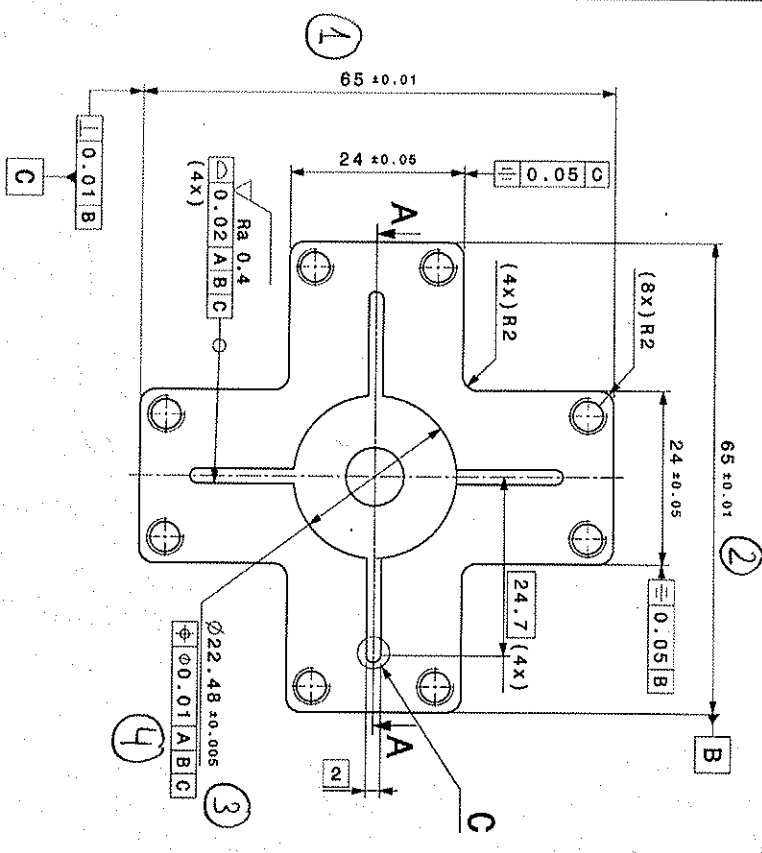


11 10 9 8 7 6 5 4 3 2 1



Mass = 0.142 KG

1	ROUND BARS HIGH CONDUCT 875	44.09.47
2	ROHS HAUTE CONDUCTIBILITE 875	575.6
3	DESCRIPTION	POS.
4	MAT.	OBSERVATIONS
5	REVISIONS	REF. CERN
6	DESIGNER	DATE
7	CHECKED	DATE
8	APPROVED	DATE
9	SCALE	SCALE
10	PROJECT ENGINEER	PROJECT ENGINEER
11	INFORMATION	INFORMATION
12	CLIPPMB0005	CLIPPMB0005
13	SIZE	SIZE
14	NO.	NO.