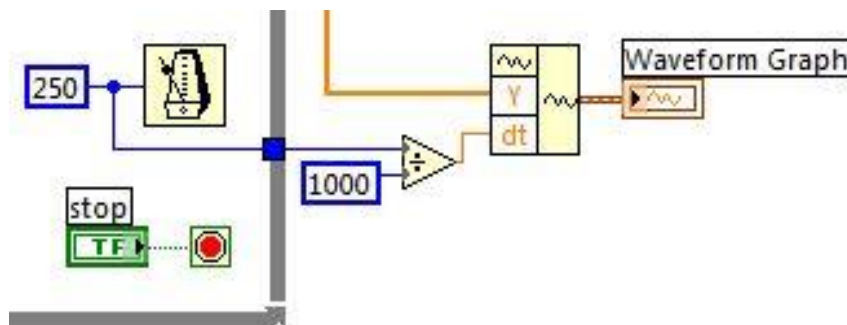


**Post-Grad  
LabVIEW Course  
Exercise 9  
G Boorman**

## Exercise 9 – Building a Waveform

Open Temperature Logger File.vi.

1. Add a Waveform Graph to the front panel.
2. On the diagram expand the Case statement downwards and move the Graph icon to the lower right area of this case. Expand the while loop downwards and move the Wait statement and its constant into this area.
3. Add Build Waveform from the **waveform** palette. Move the mouse pointer over the lower edge of the Build Waveform and drag down one further element. Make the element  $dt$ .
4. Complete the diagram to look similar to this:



5. The  $dt$  value is in seconds, hence the division by one thousand of the delay time.
6. Run the VI. Notice the x-axis is in units of time according to the waveform.
7. On the front panel change the name of the plot in the waveform graph plot legend to 'Temperature'. Right click and change the Point Style, Line Style, Colour etc.
8. Save the VI.

**End of Exercise**