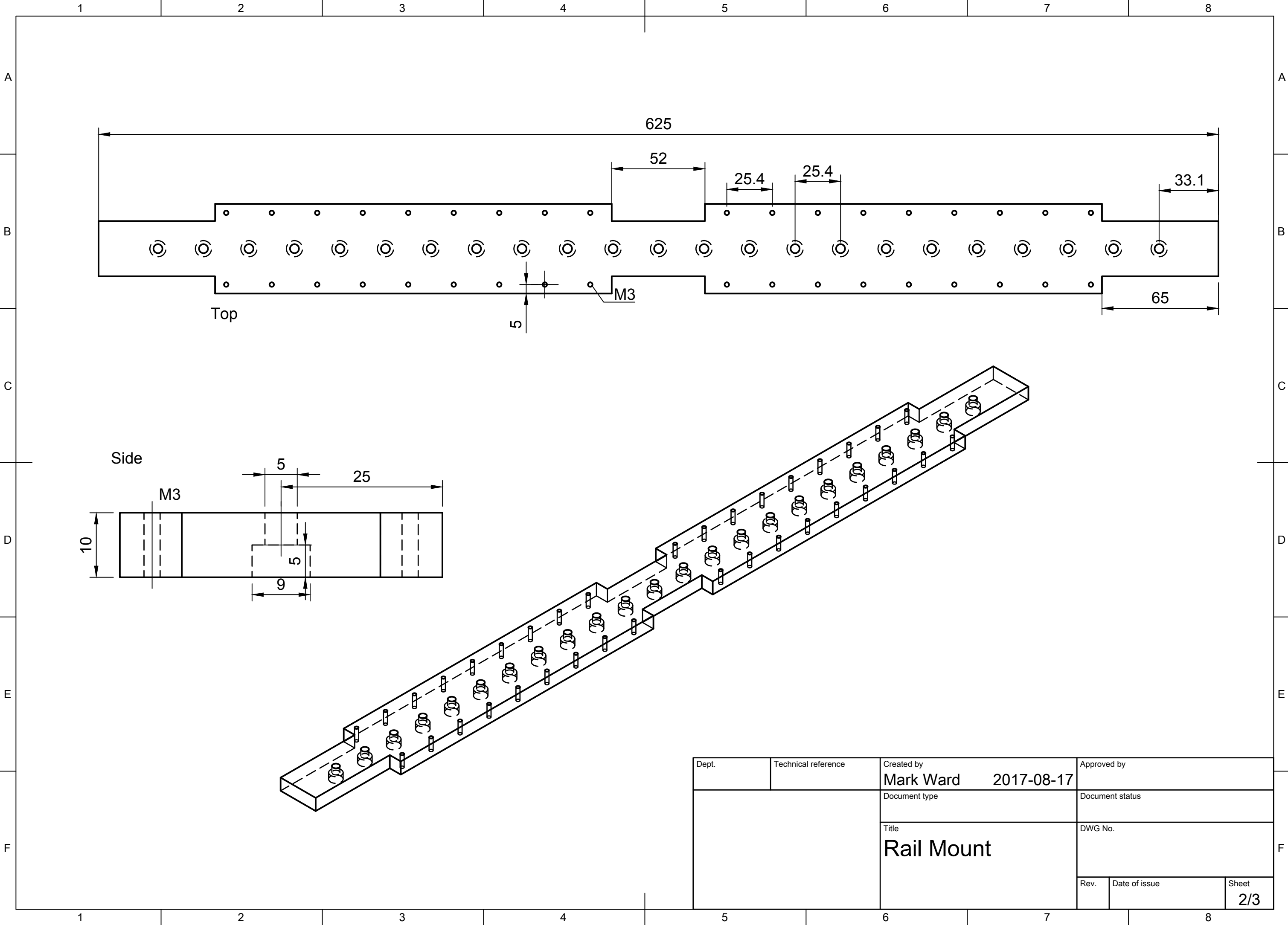


May be separated into two,  
length ways for easier  
machining if required

Dept.	Technical reference	Created by <b>Mark Ward</b>	2017-08-17	Approved by
		Document type		Document status
		Title <b>Rail Support</b>		DWG No.
		Rev.	Date of issue	Sheet <b>1/3</b>



1

2

3

4

5

6

7

8

A

A

B

B

C

C

D

D

E

E

F

F

625

52

25.4

25.4

33.1

M3

65

Top

5

Side

5

25

M3

10

5

9

Dept.	Technical reference	Created by <b>Mark Ward</b>	Approved by <b>2017-08-17</b>	
		Document type	Document status	
		Title <b>Rail Mount</b>	DWG No.	
	Rev.	Date of issue	Sheet <b>2/3</b>	

1

2

3

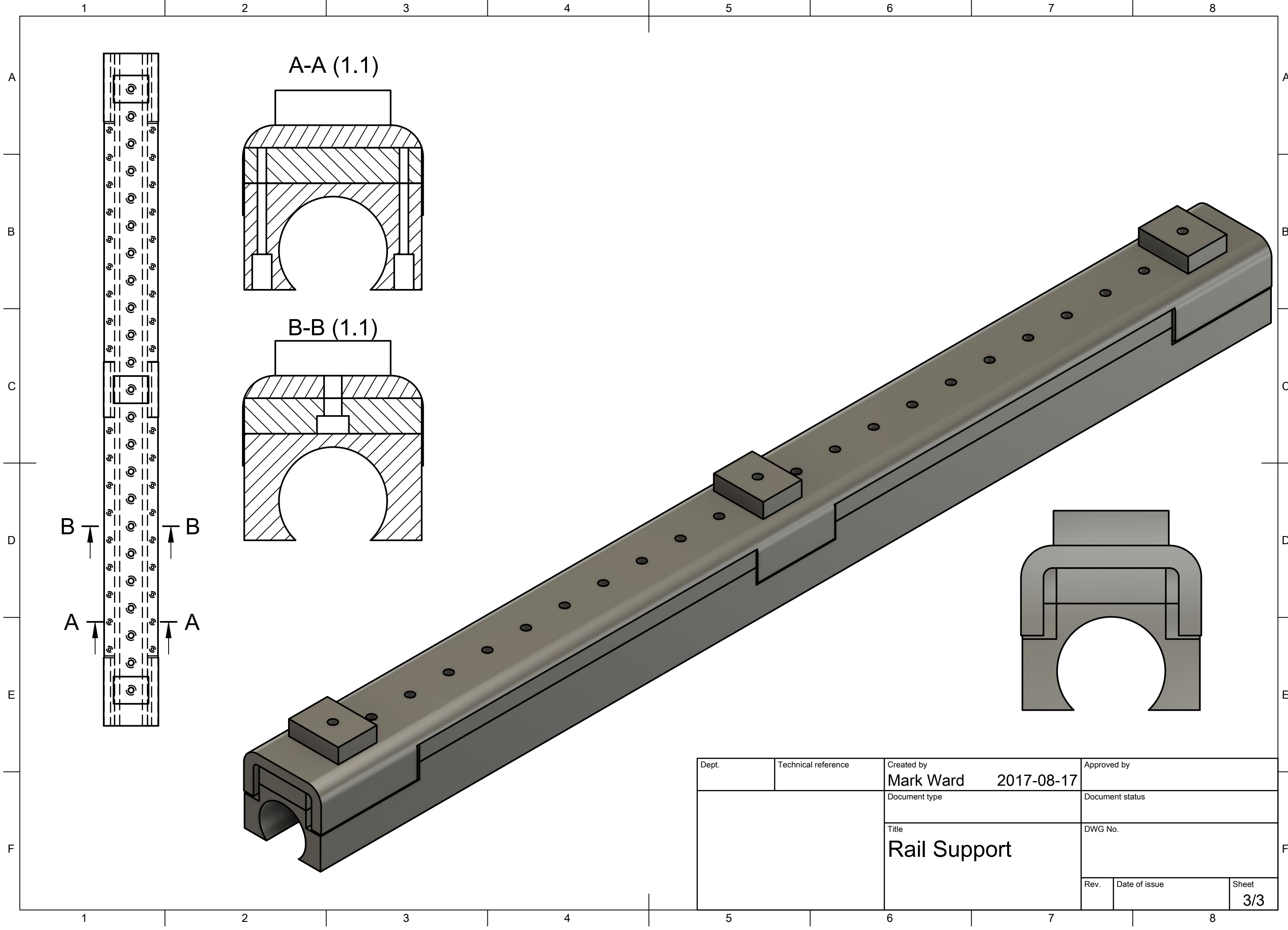
4

5

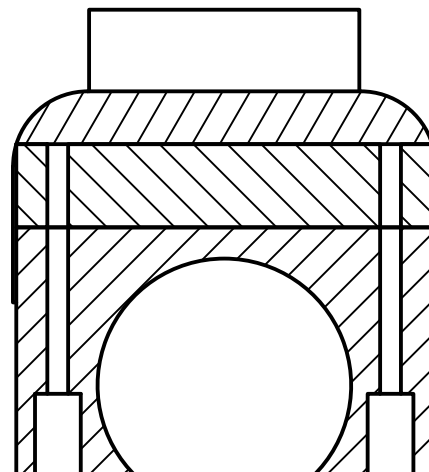
6

7

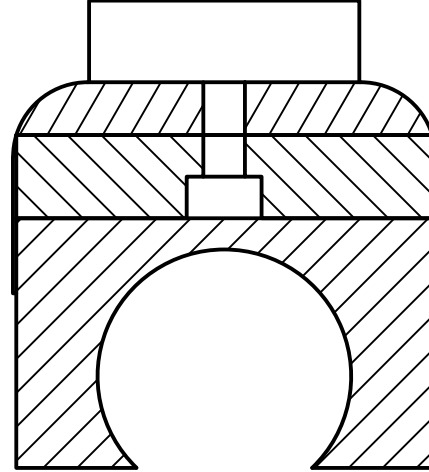
8



A-A (1.1)



B-B (1.1)



A  
B  
C  
D  
E  
F

1 2 3 4 5 6 7 8

Dept.	Technical reference	Created by <b>Mark Ward</b>	2017-08-17		Approved by
		Document type	Document status		
		Title <b>Rail Support</b>	DWG No.		
Rev.	Date of issue	Sheet		3/3	